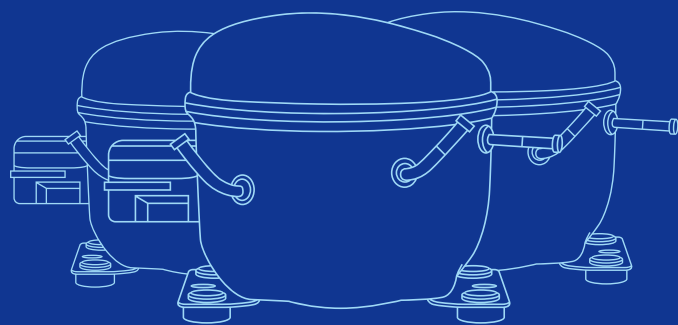


SIBERIA

COMPRESSOR 冰峰压缩机



2023 R134a/R600a/R290/R404A →

Specialists in Household and Commercial
Refrigeration Appliances

SIBERIA

WHERE TECHNOLOGY IS USED TO CREATE
A MORE COMFORTABLE WAY OF LIFE



Contents | 目录

Introduction 关于冰峰	01
Production Process 生产工艺	02
Our Vision & Mission 目标和使命	03
Compressor Range 压缩机系列	05
SIBERIA Compressor Models Identification Designation 压缩机型号定义	06
L Series Compressor R134a L系列压缩机 R134a	07
V Series Compressor R134a V系列压缩机 R134a	07
S Series Compressor R134a S系列压缩机 R134a	08
AT Series Compressor R134a AT系列压缩机 R134a	10
F Series Compressor R134a F系列压缩机 R134a	11
B Series Compressor R134a B系列压缩机 R134a	12
L Series Compressor R600a L系列压缩机 R600a	13
V Series Compressor R600a V系列压缩机 R600a	15
S Series Compressor R600a S系列压缩机 R600a	16
AT Series Compressor R600a AT系列压缩机 R600a	18
F Series Compressor R600a F系列压缩机 R600a	20
V Series Compressor R290 V系列压缩机 R290	21
S Series Compressor R290 S系列压缩机 R290	22
F Series Compressor R290 F系列压缩机 R290	22
AT Series Compressor R290 AT系列压缩机 R290	23
B Series Compressor R290 B系列压缩机 R290	24
B Series Compressor R404A B系列压缩机 R404A	25
V Series DC Compressor V系列直流压缩机	26
Testing Conditions According To Ashrae 实验条件	27
Compressor Dimension 压缩机外貌图	28
Assembly of Electronic Components 电气附件安装	31
Packaging and Shipping 包装与运输	34
Wiring Diagram 电气连接	39
Fixing of Mounting Bracket and Cabinet Base 附件安装	39
Certification 证书	40
Executive Standard 压缩机执行标准	41
General Requirement 产品通用要求	41



Introduction | 关于冰峰

Zhejiang Bingfeng Compressor Co.,Ltd is committed to designing and manufacturing the best refrigeration compressors. Our principle strategy is to offer innovative and advanced products to all of our customers. In order to achieve this, we have incorporated the latest technology into our compressors, as proven by a series of Research & Development experiments. We have conducted many tests on our products to guarantee the outstanding performance of each model.

Flexibility is key to our success, we are able to supply compressors adapted to the needs of individual customers. With an annual production rate in excess of 8 million pieces, Bingfeng has established itself as a leading manufacturer and is increasing our production rate every year.

浙江冰峰压缩机有限公司正致力于设计和生产最好的冰箱压缩机，并成为国内一流的压缩机制造商。一直以来，冰峰始终不渝地以能够提供客户创新的和先进的产品为战略目标。为了达到目标，我们不断地汲取最新的技术，利用精良的生产和检验设备，对每一个新产品都经过一系列的反复实验来达到最佳的性能。

机动灵活是我们成功的秘诀，我们可以根据客户的不同需求来设计产品，同时我们也将不断的提高产能和为客户提供更多的具有竞争力的产品。

Production Process | 生产工艺



Washing Line 清洗线



Cylinder Block Processing Line 缸体加工线



Lab Room 测试室



Honing Machine 珩磨机



Shell Welding Line 壳体焊接



Final Product & Packing 成品



Inner Assembly Line 内装线



Final Assembly Line 外装线

Our Vision | 目标

Our vision is to renovate the manufacturing process of compressors by introducing inspired and innovative products to the market.

通过不断地给市场提供有创造力的产品来革新我们的压缩机生产进程。

Our Mission | 使命

Our mission is to create and supply high quality products to meet the individual needs of our customers
提供最佳的产品来满足客户的不同需求。

We strive to create long lasting relationships with our stakeholders to ensure a productive future for all.

与我们的客户建立持久的合作关系并一同创造美好的未来。

Performance Datasheet

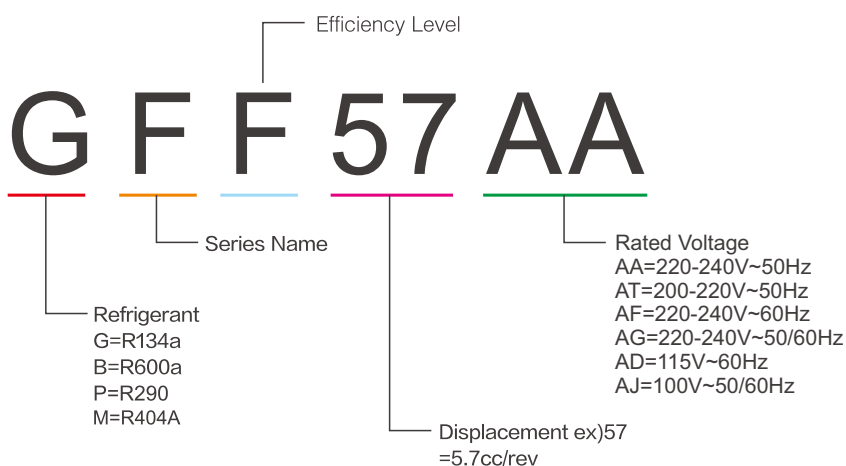
参数规格

Compressor Range | 压缩机系列

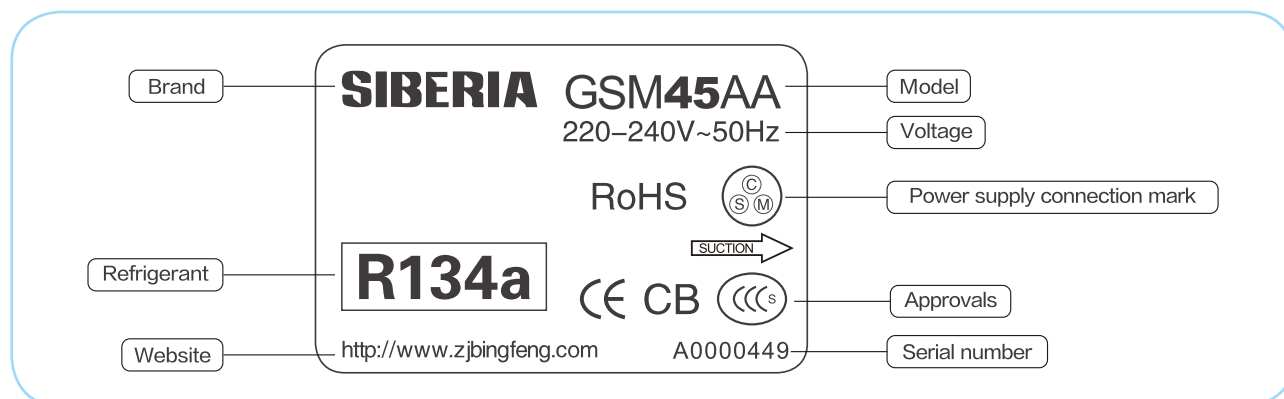
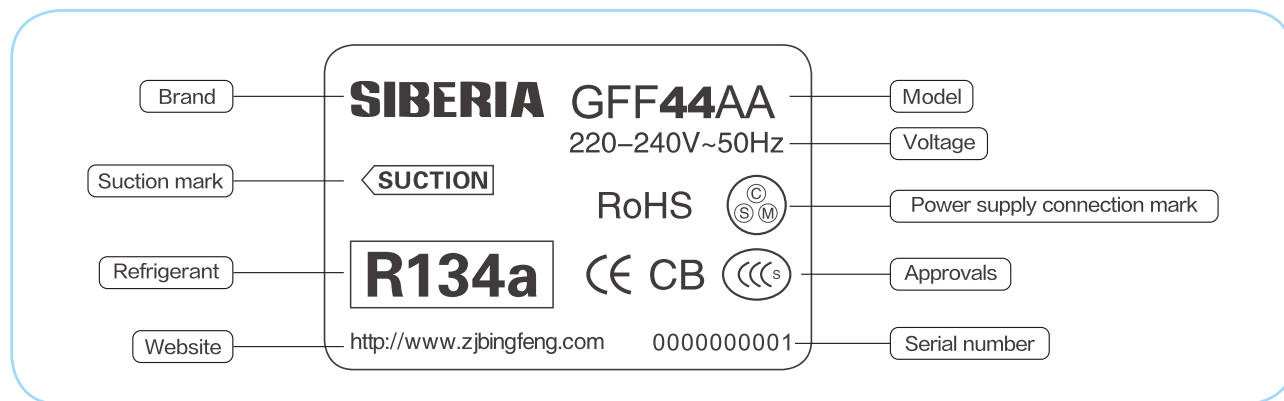
Range	Compressor	Compressor Description		
		Specification	Cooling Capacity	Refrigerant
F		LBP Compact size Low noise & vibration High reliability	100-455W	R600a, R134a, R290
		M/HBP Stable performance High reliability	490-1780W	R134a, R290
S		L/M/HBP Very Compact size Very low noise & vibration High Reliability	52-680W	R600a, R134a, R290
AT		L/M/HBP Very Compact size Very low noise & vibration High Reliability	88-840W	R600a, R134a, R290
V		L/M/HBP Very Compact size Very low noise & vibration High Reliability	50-420W	R600a, R134a, R290
L		LBP Very Compact size Very low noise & vibration High Reliability	41-82W	R600a, R134a
B		L/M/HBP Stable performance High reliability	400-2500W	R134a, R290, R404A

SIBERIA Compressor Models | SIBERIA压缩机型号定义 Identification Designation

Compressor designation(for F, S, AT, V, L, B Series)



Identification Label | 铭牌设计



L Series Compressor R134a | L系列压缩机 R134a

◎220-240V~50/60Hz R134a LBP

型号 Model	气缸容积 Displacement (cm ³)	冷却方式 Cooling Type	电机型式 Motor Type	电压频率 Voltage/ Frequency	ASHRAE (-23.3/54.4/32.2°C)					吸排气结构 Suction and Discharge Structure
					制冷量 Cooling Capacity			COP		
					W	Btu/h	Kcal	W/W	Btu/Wh	
GLC25AG	2.3	ST	RSIR	220-240V~50Hz	55	188	47	0.80	2.73	异侧 Different Side
				220-240V~60Hz	66	225	57	1.10	3.75	
	2.6	ST	RSIR	220-240V~50Hz	63	215	54	0.85	2.90	异侧 Different Side
				220-240V~60Hz	74	252	64	1.10	3.75	
GLC30AG	3.1	ST	RSIR	220-240V~50Hz	82	280	71	0.95	3.24	异侧 Different Side
				220-240V~60Hz	94	321	81	1.20	4.09	

V Series Compressor R134a | V系列压缩机 R134a

◎220-240V~50Hz R134a LBP

GVC20AA	2.0	ST	RSIR	220-240V~50Hz	65	222	56	0.95	3.24	异侧 Different Side
GVC25AA	2.5	ST	RSIR	220-240V~50Hz	75	256	64	0.95	3.24	异侧 Different Side
GVC30AA	3.0	ST	RSIR	220-240V~50Hz	90	307	77	0.95	3.24	异侧 Different Side
GVC35AA	3.5	ST	RSIR	220-240V~50Hz	98	334	84	0.95	3.24	异侧 Different Side
GVC30AA	3.0	ST	RSIR	220-240V~50Hz	85	290	73	1.25	4.27	异侧 Different Side

◎220-240V~50/60Hz R134a LBP

GVC20AG	2.0	ST	RSIR	220-240V~50Hz	65	222	56	0.95	3.24	异侧 Different Side
				220-240V~60Hz	78	266	67	1.20	4.09	
GVC25AG	2.5	ST	RSIR	220-240V~50Hz	75	256	64	0.95	3.24	异侧 Different Side
				220-240V~60Hz	90	307	77	1.20	4.09	
GVC30AG	3.0	ST	RSIR	220-240V~50Hz	90	307	77	0.95	3.24	异侧 Different Side
				220-240V~60Hz	106	362	91	1.20	4.09	
GVC35AG	3.5	ST	RSIR	220-240V~50Hz	101	345	87	1.00	3.41	异侧 Different Side
				220-240V~60Hz	118	403	101	1.20	4.09	

◎ 220-240V~50Hz R134a HBP

型号 Model	气缸容积 Displacement (cm ³)	冷却方式 Cooling Type	电机型式 Motor Type	电压频率 Voltage/ Frequency	ASHRAE (-23.3/54.4/32.2°C)					吸排气结构 Suction and Discharge Structure
					制冷量 Cooling Capacity			COP		
					W	Btu/h	Kcal	W/W	Btu/Wh	
GVL35HA	3.5	ST	RSIR	220-240V~50Hz	370	1262	318	2.40	8.19	异侧 Different Side
GVJ40HA	3.8	FC	RSIR	220-240V~50Hz	395	1348	340	2.55	8.70	异侧 Different Side
GVL43HA	4.3	FC	RSIR	220-240V~50Hz	438	1495	377	2.40	8.19	异侧 Different Side
GVJ43HA	4.3	FC	RSCR	220-240V~50Hz	448	1529	385	2.68	9.14	异侧 Different Side

◎ 220-240V~60Hz R134a HBP

GVP40HF	3.8	FC	RSCR	220-240V~60Hz	480	1638	413	2.80	9.55	异侧 Different Side
---------	-----	----	------	---------------	-----	------	-----	------	------	----------------------

◎ 115V~60Hz R134a HBP

GVP30HD	3.0	FC	RSCR	115V~60Hz	405	1382	348	3.03	10.34	异侧 Different Side
GVJ35HD	3.5	FC	RSIR	115V~60Hz	442	1508	380	2.65	9.04	异侧 Different Side
GVP35HD	3.5	FC	RSCR	115V~60Hz	453	1546	390	3.00	10.24	异侧 Different Side

S Series Compressor R134a | S系列压缩机 R134a

◎ 220-240V~50/60Hz R134a LBP

GSD25AA*	2.5	ST	RSIR	220-240V~50Hz	60	205	52	0.95	3.24	异侧 Different Side
GSD30AA*	3.0	ST	RSIR	220-240V~50Hz	75	256	64	1.00	3.41	异侧 Different Side
GSC25AA	2.5	ST	RSIR	220-240V~50Hz	65	222	56	0.90	3.07	异侧 Different Side
GSC35AA	3.5	ST	RSIR	220-240V~50Hz	93	317	80	0.90	3.07	异侧 Different Side
GSE30AA	3.0	ST	RSIR	220-240V~50Hz	75	256	64	1.20	4.09	异侧 Different Side
GSM57AA*	5.7	ST	RSIR	220-240V~50Hz	165	563	142	1.35	4.61	同侧 Same Side
GSF57AA	5.7	ST	RSCR	220-240V~50Hz	165	563	142	1.45	4.95	同侧 Same Side
GSF66AA	6.5	ST	RSCR	220-240V~50Hz	195	665	168	1.45	4.95	同侧 Same Side
GSC25AG	2.5	ST	RSIR	220-240V~50Hz	60	205	52	0.82	2.80	异侧 Different Side
				220-240V~60Hz	70	238	60	1.00	3.41	
GSC30AG	3.0	ST	RSIR	220-240V~50Hz	75	256	64	0.90	3.07	异侧 Different Side
				220-240V~60Hz	88	300	76	1.10	3.75	
GSM57AG*	5.7	ST	RSIR	220-240V~50Hz	165	563	142	1.30	4.44	同侧 Same Side
				220-240V~60Hz	190	648	163	1.40	4.78	

◎ 200-220V~50/60Hz R134a LBP

型号 Model	气缸容积 Displacement (cm ³)	冷却方式 Cooling Type	电机型式 Motor Type	电压频率 Voltage/ Frequency	ASHRAE (-23.3/54.4/32.2°C)					吸排气结构 Suction and Discharge Structure
					制冷量 Cooling Capacity			COP		
					W	Btu/h	Kcal	W/W	Btu/Wh	
GSF41AT*	4.1	ST	RSCR	200-220V-50Hz	118	403	101	1.35	4.61	同侧 Same Side
GSF45AT*	4.5	ST	RSCR	200-220V-50Hz	130	444	112	1.35	4.61	同侧 Same Side
				200-220V-60Hz	150	512	129	1.45	4.95	
GSM57AT*	5.7	ST	RSCR	200-220V-50Hz	165	563	142	1.35	4.61	同侧 Same Side
GSF57AT	5.7	ST	RSCR	200-220V-50Hz	165	563	142	1.42	4.85	同侧 Same Side
GSR43AT	4.1	ST	RSCR	200-220V-50Hz	118	403	101	1.52	5.19	同侧 Same Side

◎ 115V~60Hz R134a LBP

GSC25AD	2.5	ST	RSIR	115V~60Hz	70	239	60	1.10	3.75	异侧 Different Side
GSC30AD	3.0	ST	RSIR	115V~60Hz	88	300	76	1.10	3.75	异侧 Different Side
GSE32AD	3.2	ST	RSIR	115V~60Hz	95	324	82	1.20	4.09	异侧 Different Side

◎ 100V~50/60Hz R134a LBP

GSC25AJ	2.5	ST	RSIR	100V~50Hz	60	205	52	0.90	3.07	异侧 Different Side
				100V~60Hz	70	239	60	1.10	3.75	
GSC30AJ*	3.0	ST	RSIR	100V~50Hz	75	256	64	0.95	3.24	异侧 Different Side
				100V~60Hz	88	300	76	1.20	4.09	

◎ 115V~60Hz R134a HBP

GSL45HD	4.5	ST/FC	RSIR	115V~60Hz	570	1945	490	2.40	8.19	同侧 Same Side
---------	-----	-------	------	-----------	-----	------	-----	------	------	-----------------

◎ 220-240V~60Hz R134a HBP

GSP55HF*	5.5	FC	RSCR	220-240V~60Hz	650	2218	559	2.70	9.21	异侧 Different Side
GSP66HF*	6.6	FC	RSCR	220-240V~60Hz	750	2559	645	2.70	9.21	异侧 Different Side

AT Series Compressor R134a | AT系列压缩机 R134a

◎220-240V~50Hz R134a LBP

型号 Model	气缸容积 Displacement (cm ³)	冷却方式 Cooling Type	电机型式 Motor Type	电压频率 Voltage/ Frequency	ASHRAE (-23.3/54.4/32.2°C)					吸排气结构 Suction and Discharge Structure
					制冷量 Cooling Capacity			COP		
					W	Btu/h	Kcal	W/W	Btu/Wh	
GATF57AA	5.5	ST	RSIR	220-240V~50Hz	165	563	142	1.35	4.61	同侧 Same Side
GATF66AA	6.7	ST	RSIR	220-240V~50Hz	200	682	172	1.40	4.78	同侧 Same Side
GATC75AA	7.2	ST	RSIR	220-240V~50Hz	220	751	189	1.10	3.75	同侧 Same Side
GATF75AA	7.2	ST	RSIR	220-240V~50Hz	220	751	189	1.35	4.61	同侧 Same Side

◎220-240V~50/60Hz R134a LBP

GATR75AG	7.2	ST	RSCR	220-240V~50Hz	220	751	189	1.52	5.19	同侧 Same Side
				220-240V~60Hz	256	874	220	1.60	5.46	

◎200-220V~50Hz R134a LBP

GATF57AT	5.5	ST	RSIR	200-220V~50Hz	165	563	142	1.35	4.61	同侧 Same Side
GATF66AT	6.7	ST	RSIR	200-220V~50Hz	200	682	172	1.40	4.78	同侧 Same Side

◎115V~60Hz R134a HBP

GATP55HD*	5.6*	FC	RSCR	115V~60Hz	700	2388	602	3.00	10.24	异侧 Different Side
GATP75HD*	7.3*	FC	RSCR	115V~60Hz	920	3139	791	3.00	10.24	异侧 Different Side

F Series Compressor R134a | F系列压缩机 R134a

◎220-240V~50Hz R134a LBP

型号 Model	气缸容积 Displacement (cm ³)	冷却方式 Cooling Type	电机型式 Motor Type	电压频率 Voltage/ Frequency	ASHRAE (-23.3/54.4/32.2℃)					吸排气结构 Suction and Discharge Structure
					制冷量 Cooling Capacity			COP		
					W	Btu/h	Kcal	W/W	Btu/Wh	
GFM44AA	4.6	ST	RSIR	220-240V~50Hz	120	409	103	1.20	4.09	异侧 Different Side
GFM53AA	5.3	ST	RSIR	220-240V~50Hz	145	495	125	1.27	4.33	异侧 Different Side
GFM57AA	5.7	ST	RSIR	220-240V~50Hz	165	563	142	1.25	4.27	异侧 Different Side
GFM75AA	7.5	ST	RSIR	220-240V~50Hz	215	734	185	1.35	4.61	异侧 Different Side
GFM10AA	10.0	ST	RSIR	220-240V~50Hz	295	1007	254	1.34	4.57	异侧 Different Side
GFM12AA-S	12.0	ST	CSIR	220-240V~50Hz	330	1126	284	1.34	4.57	异侧 Different Side
GFF44AA	4.6	ST	RSCR	220-240V~50Hz	130	444	112	1.40	4.78	异侧 Different Side
GFF57AA	5.7	ST	RSCR	220-240V~50Hz	165	563	142	1.50	5.12	异侧 Different Side
GFF66AA	6.6	ST	RSCR	220-240V~50Hz	195	665	168	1.48	5.05	异侧 Different Side
GFF75AA	7.5	ST	RSCR	220-240V~50Hz	215	734	185	1.46	4.98	异侧 Different Side
GFF86AA	8.6	ST	RSCR	220-240V~50Hz	250	853	215	1.52	5.19	异侧 Different Side
GFF93AA	9.3	ST	RSCR	220-240V~50Hz	270	921	232	1.54	5.25	异侧 Different Side
GFT36AA	3.6	ST	RSCR	220-240V~50Hz	110	375	95	1.62	5.53	异侧 Different Side
GFT44AA	4.6	ST	RSCR	220-240V~50Hz	130	444	112	1.70	5.80	异侧 Different Side
GFT53AA	5.3	ST	RSCR	220-240V~50Hz	145	495	125	1.70	5.80	异侧 Different Side
GFT57AA	5.7	ST	RSCR	220-240V~50Hz	165	563	142	1.70	5.80	异侧 Different Side
GFT61AA	6.1	ST	RSCR	220-240V~50Hz	182	621	156	1.70	5.80	异侧 Different Side
GFT66AA	6.6	ST	RSCR	220-240V~50Hz	195	665	168	1.70	5.80	异侧 Different Side
GFT75AA	7.5	ST	RSCR	220-240V~50Hz	215	734	185	1.70	5.80	异侧 Different Side
GFT86AA	8.6	ST	RSCR	220-240V~50Hz	250	853	215	1.70	5.80	异侧 Different Side
GFT93AA	9.3	ST	RSCR	220-240V~50Hz	270	921	232	1.65	5.63	异侧 Different Side

◎200-220V~50Hz R134a LBP

GFF53AT	5.3	ST	RSCR	200-220V~50Hz	150	512	129	1.42	4.85	异侧 Different Side
GFF57AT	5.7	ST	RSCR	200-220V~50Hz	165	563	142	1.40	4.78	异侧 Different Side
GFF66AT	6.6	ST	RSCR	200-220V~50Hz	196	669	169	1.42	4.85	异侧 Different Side
GFF75AT	7.5	ST	RSCR	200-220V~50Hz	218	744	187	1.48	5.05	异侧 Different Side
GFF86AT	8.6	ST	RSCR	200-220V~50Hz	250	853	215	1.49	5.08	异侧 Different Side
GFF93AT	9.3	ST	RSCR	200-220V~50Hz	275	938	236	1.49	5.08	异侧 Different Side

◎ 115V~60Hz R134a LBP

型号 Model	气缸容积 Displacement (cm ³)	冷却方式 Cooling Type	电机型式 Motor Type	电压频率 Voltage/ Frequency	ASHRAE (-23.3/54.4/32.2°C)					吸排气结构 Suction and Discharge Structure
					制冷量 Cooling Capacity			COP		
					W	Btu/h	Kcal	W/W	Btu/Wh	
GFM44AD	4.6	ST	RSIR	115V~60Hz	145	495	125	1.30	4.44	异侧 Different Side
GFM53AD	5.3	ST	RSIR	115V~60Hz	185	631	159	1.30	4.44	异侧 Different Side
GFM57AD	5.7	ST	RSIR	115V~60Hz	195	665	168	1.30	4.44	异侧 Different Side
GFM61AD	6.1	ST	RSIR	115V~60Hz	210	717	181	1.25	4.27	异侧 Different Side
GFR40AD	3.6	ST	RSCR	115V~60Hz	120	409	103	1.42	4.85	异侧 Different Side
GFR57AD	5.7	ST	RSCR	115V~60Hz	195	665	168	1.55	5.29	异侧 Different Side
GFM93AD	9.3	ST	RSIR	115V~60Hz	305	1041	262	1.40	4.78	异侧 Different Side

◎ 100V~50/60Hz R134a LBP

GFF66AJ	6.6	ST	RSCR	100V~50Hz	195	665	168	1.44	4.91	异侧 Different Side
GFF66AJ	6.6	ST	RSCR	100V~60Hz	233	795	200	1.53	5.22	异侧 Different Side
GFF93AJ	9.3	ST	RSCR	100V~50Hz	270	921	232	1.42	4.85	异侧 Different Side
GFF93AJ	9.3	ST	RSCR	100V~60Hz	305	1041	262	1.49	5.08	异侧 Different Side

◎ 220~240V~50/60Hz R134a M/HBP

GFL60AG	5.3	FC	CSIR	220-240V~50Hz	550	1877	473	2.24	7.64	异侧 Different Side
				220-240V~60Hz	650	2218	559	2.45	8.36	

◎ 220~240V~50Hz R134a M/HBP

GFL80AA	7.5	FC	CSIR	220-240V~50Hz	720	2457	619	2.27	7.75	异侧 Different Side
GFL10AA	9.3	FC	CSIR	220-240V~50Hz	880	3003	757	2.00	6.82	异侧 Different Side

B Series Compressor R134a | B系列压缩机 R134a

◎ 220~240V~50Hz R134a L/MBP

GBE16AA	16.2	FC	CSIR	220-240V~50Hz	435	1484	506	1.30	4.44	异侧 Different Side
GBE18AA	18.0	FC	CSIR	220-240V~50Hz	480	1638	558	1.30	4.44	异侧 Different Side

◎ 220-240V~50Hz R134a L/MBP

型号 Model	气缸容积 Displacement (cm ³)	冷却方式 Cooling Type	电机型式 Motor Type	电压频率 Voltage/ Frequency	ASHRAE (-23.3/54.4/32.2°C)					吸排气结构 Suction and Discharge Structure
					制冷量 Cooling Capacity			COP		
					W	Btu/h	Kcal	W/W	Btu/Wh	
GBE14AG*	14.3	FC	CSIR	220-240V~50Hz	395	1348	459	1.20	4.09	异侧 Different Side
				220-240V~60Hz	463	1580	538	1.30	4.44	
GBE16AG*	16.2	FC	CSIR	220-240V~50Hz	440	1501	512	1.20	4.09	异侧 Different Side
				220-240V~60Hz	516	1761	600	1.30	4.44	
GBE18AG*	18.0	FC	CSIR	220-240V~50Hz	575	1962	669	1.20	4.09	异侧 Different Side
				220-240V~60Hz	674	2300	784	1.30	4.44	

◎ 115V~60Hz R134a L/MBP

GBE12AD*	12.1	FC	CSR	115V~60Hz	380	1297	442	1.32	4.50	异侧 Different Side
GBE14AD*	14.3	FC	CSR	115V~60Hz	452	1542	526	1.28	4.37	异侧 Different Side
GBE16AD*	16.2	FC	CSR	115V~60Hz	512	1747	595	1.25	4.27	异侧 Different Side
GBE18AD*	18.0	FC	CSR	115V~60Hz	575	1962	669	1.25	4.27	异侧 Different Side

◎ 220-240V~50Hz R134a HBP

GBL12HA	12.1	FC	CSR	220-240V~50Hz	1175	4009	1367	2.53	8.63	异侧 Different Side
GBL14HA	14.3	FC	CSR	220-240V~50Hz	1415	4828	1646	2.35	8.02	异侧 Different Side
GBL16HA	16.2	FC	CSR	220-240V~50Hz	1520	5186	1768	2.35	8.02	异侧 Different Side
GBL18HA	18.0	FC	CSR	220-240V~50Hz	1710	5835	1989	2.25	7.68	异侧 Different Side

L Series Compressor R600a | L系列压缩机 R600a

◎ 220-240V~50/60Hz R600a LBP

BLC25AA	2.6	ST	RSIR	220-240V~50Hz	39	133	34	1.15	3.91	异侧 Different Side
BLC30AA	3.1	ST	RSIR	220-240V~50Hz	45	154	39	1.11	3.79	异侧 Different Side
BLC35AA	3.5	ST	RSIR	220-240V~50Hz	55	188	47	0.95	3.25	异侧 Different Side
BLC43AA	4.5	ST	RSIR	220-240V~50Hz	70	239	60	1.05	3.59	异侧 Different Side
BLC55AA	5.5	ST	RSIR	220-240V~50Hz	82	280	71	1.00	3.41	异侧 Different Side
BLC48AA	4.8	ST	RSIR	220-240V~50Hz	82	280	71	1.15	3.92	异侧 Different Side
BLC52AA	5.2	ST	RSIR	220-240V~50Hz	78	266	67	0.98	3.35	异侧 Different Side
	5.2	ST	RSIR	220-240V~50Hz	82	280	71	1.11	3.79	异侧 Different Side
BLC65AA	6.2	ST	RSIR	220-240V~50Hz	100	341	86	1.15	3.92	异侧 Different Side
BLM30AA	3.0	ST	RSIR	220-240V~50Hz	44	150	38	1.25	4.27	异侧 Different Side

◎ 220-240V~60Hz R600a LBP

型号 Model	气缸容积 Displacement (cm ³)	冷却方式 Cooling Type	电机型式 Motor Type	电压频率 Voltage/ Frequency	ASHRAE (-23.3/54.4/32.2°C)					吸排气结构 Suction and Discharge Structure
					制冷量 Cooling Capacity			COP		
					W	Btu/h	Kcal	W/W	Btu/Wh	
BLC48AF	4.8	ST	RSIR	220-240V~60Hz	82	280	71	1.11	3.79	异侧 Different Side

◎ 220-240V~50/60Hz R600a LBP

BLC30AG	3.0	ST	RSIR	220-240V~50Hz	45	154	39	1.05	3.59	异侧 Different Side
				220-240V~60Hz	55	188	47	1.10	3.75	
BLC35AG	3.5	ST	RSIR	220-240V~50Hz	55	188	47	1.05	3.59	异侧 Different Side
				220-240V~60Hz	66	225	57	1.10	3.75	

◎ 115V~60Hz R600a LBP

BLC35AD	3.5	ST	RSIR	115V~60Hz	64	218	55	1.05	3.59	异侧 Different Side
BLC40AD	4.0	ST	RSIR	115V~60Hz	75	256	64	1.00	3.41	异侧 Different Side
BLC45AD	4.5	ST	RSIR	115V~60Hz	75	256	64	0.95	3.25	异侧 Different Side
BLC48AD	4.8	ST	RSIR	115V~60Hz	82	280	71	1.00	3.41	异侧 Different Side

V Series Compressor R600a | V系列压缩机 R600a

◎ 220-240V~50Hz R600a LBP

型号 Model	气缸容积 Displacement (cm ³)	冷却方式 Cooling Type	电机型式 Motor Type	电压频率 Voltage/ Frequency	ASHRAE (-23.3/54.4/32.2°C)					吸排气结构 Suction and Discharge Structure
					制冷量 Cooling Capacity			COP		
					W	Btu/h	Kcal	W/W	Btu/Wh	
BVD45AA	4.5	ST	RSIR	220-240V~50Hz	70	239	60	1.15	3.92	异侧 Different Side
BVD52AA	5.2	ST	RSIR	220-240V~50Hz	86	293	74	1.15	3.92	异侧 Different Side
BVD55AA	5.5	ST	RSIR	220-240V~50Hz	90	307	77	1.20	4.09	异侧 Different Side
BVD60AA	6.0	ST	RSIR	220-240V~50Hz	98	334	84	1.10	3.75	异侧 Different Side
BVC20AA	2.3	ST	RSIR	220-240V~50Hz	32	109	28	0.87	2.97	异侧 Different Side
BVC35AA	3.5	ST	RSIR	220-240V~50Hz	57	194	49	1.15	3.92	异侧 Different Side
BVC43AA	4.3	ST	RSIR	220-240V~50Hz	68	232	58	1.00	3.41	异侧 Different Side
BVC45AA	4.5	ST	RSIR	220-240V~50Hz	74	252	64	1.00	3.41	异侧 Different Side
BVC52AA	5.2	ST	RSIR	220-240V~50Hz	85	290	73	1.00	3.41	异侧 Different Side
BVC60AA	6.0	ST	RSIR	220-240V~50Hz	100	341	86	1.10	3.75	异侧 Different Side
BVC80AA	8.0	ST	RSIR	220-240V~50Hz	130	444	112	1.10	3.75	异侧 Different Side
BVE30AA	3.0	ST	RSIR	220-240V~50Hz	50	171	43	1.13	3.86	异侧 Different Side
BVE43AA	4.3	ST	RSIR	220-240V~50Hz	75	256	64	1.00	3.41	异侧 Different Side
BVE60AA	6.0	ST	RSIR	220-240V~50Hz	101	345	87	1.10	3.75	异侧 Different Side
BVE70AA	7.0	ST	RSIR	220-240V~50Hz	120	409	103	1.30	4.44	异侧 Different Side
BVR35AA	3.5	ST	RSCR	220-240V~50Hz	58	198	50	1.50	5.12	异侧 Different Side
BVR43AA	4.3	ST	RSCR	220-240V~50Hz	74.5	254	64	1.51	5.15	异侧 Different Side
BVR52AA	5.2	ST	RSCR	220-240V~50Hz	85	290	73	1.50	5.12	异侧 Different Side
BVR60AA	6.0	ST	RSCR	220-240V~50Hz	101	345	87	1.60	5.46	异侧 Different Side

◎ 220-240V~50/60Hz R600a LBP

BVC35AG	3.5	ST	RSIR	220-240V~50Hz	58	198	50	0.90	3.07	异侧 Different Side
				220-240V~60Hz	68	232	58	1.20	4.09	
BVE35AG	3.5	ST	RSIR	220-240V~50Hz	59	201	51	1.20	4.09	异侧 Different Side
				220-240V~60Hz	71	242	61	1.30	4.44	
BVC45AG	4.5	ST	RSIR	220-240V~50Hz	73	249	63	1.00	3.41	异侧 Different Side
				220-240V~60Hz	86	293	74	1.25	4.27	

◎ 115V~60Hz R600a LBP

型号 Model	气缸容积 Displacement (cm ³)	冷却方式 Cooling Type	电机型式 Motor Type	电压频率 Voltage/ Frequency	ASHRAE (-23.3/54.4/32.2℃)					吸排气结构 Suction and Discharge Structure
					制冷量 Cooling Capacity			COP		
					W	Btu/h	Kcal	W/W	Btu/Wh	
BVE35AD	3.5	ST	RSIR	115V~60Hz	65	222	56	1.20	4.09	异侧 Different Side
BVE45AD	4.5	ST	RSIR	115V~60Hz	88	300	76	1.20	4.09	异侧 Different Side
BVC43AD	4.3	ST	RSIR	115V~60Hz	85	290	73	1.10	3.75	异侧 Different Side
BVC48AD	4.8	ST	RSIR	115V~60Hz	90	307	77	1.00	3.41	异侧 Different Side
BVC52AD	5.2	ST	RSIR	115V~60Hz	103	351	89	1.18	4.03	异侧 Different Side

S Series Compressor R600a | S系列压缩机 R600a

◎ 220~240V~50Hz R600a LBP

BSE60AA	6.0	ST	RSIR	220-240V~50Hz	100	341	86	1.20	4.09	异侧 Different Side
BSE67AA	6.7	ST	RSIR	220-240V~50Hz	115	392	99	1.20	4.09	异侧 Different Side
BSE72AA	7.2	ST	RSIR	220-240V~50Hz	125	427	107	1.30	4.44	异侧 Different Side
BSM60AA	6.0	ST	RSIR	220-240V~50Hz	100	341	86	1.35	4.61	异侧 Different Side
BSM67AA	6.7	ST	RSIR	220-240V~50Hz	115	392	99	1.35	4.61	异侧 Different Side
BSM72AA	7.2	ST	RSIR	220-240V~50Hz	125	427	107	1.35	4.61	异侧 Different Side
BSM80AA	8.1	ST	RSIR	220-240V~50Hz	140	478	120	1.35	4.61	异侧 Different Side
BSF60AA	6.0	ST	RSIR	220-240V~50Hz	102	348	88	1.45	4.95	异侧 Different Side
BSR60AA	6.0	ST	RSCR	220-240V~50Hz	102	348	88	1.55	5.29	异侧 Different Side
BSR67AA	6.7	ST	RSCR	220-240V~50Hz	115	392	99	1.55	5.29	异侧 Different Side
BSR72AA	7.2	ST	RSCR	220-240V~50Hz	125	427	107	1.50	5.12	异侧 Different Side
BSR80AA	8.0	ST	RSCR	220-240V~50Hz	140	478	120	1.50	5.12	异侧 Different Side
BSM88AA	8.8	ST	RSIR	220-240V~50Hz	155	529	133	1.30	4.44	同侧 Same Side
BSM92AA	9.1	ST	RSIR	220-240V~50Hz	160	546	138	1.30	4.44	同侧 Same Side
BSR60AA	6.0	ST	RSCR	220-240V~50Hz	102	348	88	1.55	5.29	同侧 Same Side
BSR80AA	8.0	ST	RSCR	220-240V~50Hz	142	485	122	1.50	5.12	同侧 Same Side
BSS60AA	6.0	ST	RSCR	220-240V~50Hz	102	348	88	1.65	5.63	同侧 Same Side
BSS72AA	7.2	ST	RSCR	220-240V~50Hz	123	420	106	1.65	5.63	同侧 Same Side
BSS80AA	8.0	ST	RSCR	220-240V~50Hz	142	485	122	1.60	5.46	同侧 Same Side
BST60AA	6.0	ST	RSCR	220-240V~50Hz	102	348	88	1.70	5.80	同侧 Same Side
BST67AA	6.7	ST	RSCR	220-240V~50Hz	115	392	99	1.70	5.80	同侧 Same Side
BSF88AY	8.8	ST	RSIR	220-240V~50Hz	155	529	133	1.40	4.78	同侧 Same Side
			RSCR	220-240V~50Hz	155	529	133	1.50	5.12	
BSF92AY	9.1	ST	RSIR	220-240V~50Hz	160	546	138	1.40	4.78	同侧 Same Side
			RSCR	220-240V~50Hz	160	546	138	1.50	5.12	

◎ 200-220V~50Hz R600a LBP

型号 Model	气缸容积 Displacement (cm ³)	冷却方式 Cooling Type	电机型式 Motor Type	电压频率 Voltage/ Frequency	ASHRAE (-23.3/54.4/32.2°C)					吸排气结构 Suction and Discharge Structure
					制冷量 Cooling Capacity			COP		
					W	Btu/h	Kcal	W/W	Btu/Wh	
BSR60AT	6.0	ST	RSCR	200-220V~50Hz	102	348	88	1.50	5.12	异侧 Different Side
BSE80AT	8.1	ST	RSIR	200-220V~50Hz	140	478	120	1.20	4.09	异侧 Different Side
BSE80AT	8.1	ST	RSIR	200-220V~50Hz	140	478	120	1.20	4.09	同侧 Same Side
BSM80AT	8.1	ST	RSIR	200-220V~50Hz	140	478	120	1.38	4.71	同侧 Same Side
BSR60AT	6.0	ST	RSCR	200-220V~50Hz	102	348	88	1.55	5.29	同侧 Same Side
BSR72AT-XG	7.2	ST	RSCR	200-220V~50Hz	123	420	106	1.50	5.12	同侧 Same Side
BSR72AT-R	7.2	ST	RSCR	200-220V~50Hz	123	420	106	1.50	5.12	同侧 Same Side
BSF72AT-T	7.2	ST	RSCR	200-220V~50Hz	123	420	106	1.45	4.95	同侧 Same Side
BSR88AT*	8.8	ST	RSCR	200-220V~50Hz	155	529	133	1.50	5.12	同侧 Same Side
BSS60AT	6.0	ST	RSCR	200-220V~50Hz	102	348	88	1.62	5.53	同侧 Same Side

◎ 115V~60Hz R600a LBP

BSM50AD	5.0	ST	RSIR	115V~60Hz	96	328	83	1.30	4.44	异侧 Different Side
BSM60AD	6.0	ST	RSIR	115V~60Hz	120	409	103	1.30	4.44	异侧 Different Side
BSF50AD	5.0	ST	RSIR	115V~60Hz	96	328	83	1.42	4.85	异侧 Different Side
BSS60AD	6.0	ST	RSCR	115V~60Hz	120	409	103	1.60	5.46	异侧 Different Side
BSS60AD	6.0	ST	RSCR	115V~60Hz	120	409	103	1.57	5.36	同侧 Same Side
BSS55AD	5.5	ST	RSIR	115V~60Hz	110	375	95	1.60	5.46	同侧 Same Side

AT Series Compressor R600a | AT系列压缩机 R600a

◎220-240V~50Hz R600a LBP

型号 Model	气缸容积 Displacement (cm ³)	冷却方式 Cooling Type	电机型式 Motor Type	电压频率 Voltage/ Frequency	ASHRAE (-23.3/54.4/32.2°C)					吸排气结构 Suction and Discharge Structure
					制冷量 Cooling Capacity			COP		
					W	Btu/h	Kcal	W/W	Btu/Wh	
BATM96AA	9.6	ST	RSIR	220-240V~50Hz	166	566	143	1.35	4.61	同侧 Same Side
BATM105AA	10.5	ST	RSIR	220-240V~50Hz	184	628	158	1.40	4.78	同侧 Same Side
BATM115AA	11.5	ST	RSIR	220-240V~50Hz	198	676	170	1.40	4.78	同侧 Same Side
BATR96AY	9.6	ST	RSIR	220-240V~50Hz	166	566	143	1.55	5.29	同侧 Same Side
			RSCR	220-240V~50Hz	166	566	143	1.65	5.63	同侧 Same Side
BATR115AY	11.5	ST	RSIR	220-240V~50Hz	198	676	170	1.55	5.29	同侧 Same Side
			RSCR	220-240V~50Hz	198	676	170	1.65	5.63	同侧 Same Side
BATS80AA	8.0	ST	RSCR	220-240V~50Hz	142	485	122	1.70	5.80	同侧 Same Side
BATS88AA	8.8	ST	RSCR	220-240V~50Hz	155	529	133	1.70	5.80	同侧 Same Side
BATS96AA	9.6	ST	RSCR	220-240V~50Hz	166	566	143	1.70	5.80	同侧 Same Side
BATS105AA	10.5	ST	RSCR	220-240V~50Hz	184	628	158	1.70	5.80	同侧 Same Side
BATS115AA	11.5	ST	RSCR	220-240V~50Hz	198	676	170	1.70	5.80	同侧 Same Side
BATU60AA	6.0	ST	RSCR	220-240V~50Hz	102	348	88	1.78	6.07	同侧 Same Side
BATU67AA	6.7	ST	RSCR	220-240V~50Hz	115	392	99	1.78	6.07	同侧 Same Side
BATK60AA	6.0	ST	RSCR	220-240V~50Hz	102	348	88	1.80	6.14	同侧 Same Side
BATK67AA	6.7	ST	RSCR	220-240V~50Hz	115	392	99	1.80	6.14	同侧 Same Side
BATK90AA	8.8	ST	RSCR	220-240V~50Hz	158	539	136	1.82	6.21	同侧 Same Side
BATK96AA	9.6	ST	RSCR	220-240V~50Hz	166	566	143	1.82	6.21	同侧 Same Side
BATK105AA	10.5	ST	RSCR	220-240V~50Hz	186	635	160	1.82	6.21	同侧 Same Side
BATV105AA	10.5	ST	RSCR	220-240V~50Hz	186	635	160	1.86	6.35	同侧 Same Side
BATV115AA	11.5	ST	RSCR	220-240V~50Hz	198	676	170	1.85	6.31	同侧 Same Side

◎ 200-220V~50/60Hz R600a LBP

型号 Model	气缸容积 Displacement (cm ³)	冷却方式 Cooling Type	电机型式 Motor Type	电压频率 Voltage/ Frequency	ASHRAE (-23.3/54.4/32.2°C)					吸排气结构 Suction and Discharge Structure
					制冷量 Cooling Capacity			COP		
					W	Btu/h	Kcal	W/W	Btu/Wh	
BATR96AT	9.6	ST	RSIR	200-220V-50Hz	166	566	143	1.50	5.12	同侧 Same Side
				200-220V-60Hz	195	665	168	1.65	5.63	
BATF115AT	11.5	ST	RSIR	200-220V-50Hz	198	676	170	1.40	4.78	同侧 Same Side
BATR88AT	8.8	ST	RSIR	200-220V-50Hz	155	529	133	1.55	5.29	同侧 Same Side
			RSCR		155	529	133	1.65	5.63	
BAF105AT	10.5	ST	RSIR	200-220V-50Hz	184	628	158	1.45	4.95	同侧 Same Side
			RSCR		184	628	158	1.55	5.29	
BATR88AT	8.8	ST	RSIR	200-220V-50Hz	155	529	133	1.52	5.19	同侧 Same Side
			RSCR		155	529	133	1.62	5.53	
BAR105AT	10.5	ST	RSIR	200-220V-50Hz	184	628	158	1.55	5.29	同侧 Same Side
			RSCR		184	628	158	1.65	5.63	
BATR115AT	11.5	ST	RSIR	200-220V-50Hz	198	676	170	1.55	5.29	同侧 Same Side
			RSCR		198	676	170	1.65	5.63	

◎ 220-240V~50/60Hz R600a LBP

BATR96AG	9.6	ST	RSIR	220-240V-50Hz	166	566	143	1.50	5.12	同侧 Same Side
			RSIR	220-240V-60Hz	195	665	168	1.65	5.63	
			RSCR	220-240V-50Hz	166	566	143	1.55	5.29	

◎ 115V~60Hz R600a LBP

BATS55AD	5.5	ST	RSCR	115V-60Hz	110	375	95	1.60	5.46	同侧 Same Side
----------	-----	----	------	-----------	-----	-----	----	------	------	-----------------

F Series Compressor R600a | F系列压缩机 R600a

◎ 220-240V~50Hz R600a LBP

型号 Model	气缸容积 Displacement (cm ³)	冷却方式 Cooling Type	电机型式 Motor Type	电压频率 Voltage/ Frequency	ASHRAE (-23.3/54.4/32.2℃)					吸排气结构 Suction and Discharge Structure
					制冷量 Cooling Capacity			COP		
					W	Btu/h	Kcal	W/W	Btu/W/h	
BFM86AA	8.6	ST	RSIR	220-240V~50Hz	142	485	122	1.40	4.78	异侧 Different Side
BFF86AA	8.6	ST	RSCR	220-240V~50Hz	142	485	122	1.58	5.39	异侧 Different Side
BFM93AA	9.3	ST	RSIR	220-240V~50Hz	155	529	133	1.43	4.88	异侧 Different Side
BFF93AA	9.3	ST	RSCR	220-240V~50Hz	160	546	138	1.63	5.56	异侧 Different Side
BFM10AA	10.0	ST	RSIR	220-240V~50Hz	168	573	144	1.38	4.71	异侧 Different Side
BFF11AA	11.5	ST	RSIR	220-240V~50Hz	185	631	159	1.45	4.95	异侧 Different Side
BFM12AA	11.5	ST	RSIR	220-240V~50Hz	202	689	174	1.40	4.78	异侧 Different Side
BFF12AA	13.9	ST	RSCR	220-240V~50Hz	202	689	174	1.64	5.60	异侧 Different Side
BFT57AA	5.7	ST	RSCR	220-240V~50Hz	95	324	82	1.90	6.48	异侧 Different Side
BFT75AA	7.5	ST	RSCR	220-240V~50Hz	130	444	112	1.80	6.14	异侧 Different Side
BFT86AA	8.6	ST	RSCR	220-240V~50Hz	142	485	122	1.90	6.48	异侧 Different Side
BFT93AA	9.3	ST	RSCR	220-240V~50Hz	155	529	133	1.90	6.48	异侧 Different Side
BFT10AA	10.0	ST	RSCR	220-240V~50Hz	175	597	150	1.90	6.48	同侧 Same Side
BFT11AA	10.5	ST	RSCR	220-240V~50Hz	180	614	155	1.80	6.14	同侧 Same Side
BFT12AA	11.5	ST	RSCR	220-240V~50Hz	200	682	172	1.86	6.35	同侧 Same Side

◎ 220-240V~50/60Hz R600a LBP

BFT93AG	9.3	ST	RSCR	220-240V~50Hz	155	529	133	1.86	6.35	异侧 Different Side
		ST	RSCR	220-240V~60Hz	155	529	133	1.83	6.24	异侧 Different Side
BFT11AG	10.5	ST	RSCR	220-240V~50Hz	190	648	163	1.86	6.35	异侧 Different Side
		ST	RSCR	220-240V~60Hz	210	717	181	1.83	6.24	异侧 Different Side
BFT12AG	11.5	ST	RSCR	220-240V~50Hz	200	682	172	1.86	6.35	异侧 Different Side
		ST	RSCR	220-240V~60Hz	230	785	198	1.83	6.24	异侧 Different Side

◎ 200-220V~50Hz R600a LBP

型号 Model	气缸容积 Displacement (cm ³)	冷却方式 Cooling Type	电机型式 Motor Type	电压频率 Voltage/ Frequency	ASHRAE (-23.3/54.4/32.2°C)					吸排气结构 Suction and Discharge Structure
					制冷量 Cooling Capacity			COP		
					W	Btu/h	Kcal	W/W	Btu/Wh	
BFF75AT	7.5	ST	RSCR	200-220V~50Hz	130	444	112	1.63	5.56	异侧 Different Side
BFF86AT	8.6	ST	RSCR	200-220V~50Hz	142	485	122	1.55	5.29	异侧 Different Side
BFM93AT	9.3	ST	RSIR	200-220V~50Hz	158	539	136	1.41	4.81	异侧 Different Side
BFF93AT	9.3	ST	RSCR	200-220V~50Hz	160	546	138	1.60	5.46	异侧 Different Side
BFF11AT	10.5	ST	RSCR	200-220V~50Hz	175	597	150	1.60	5.46	异侧 Different Side
BFT12AT	11.5	ST	RSCR	200-220V~50Hz	200	682	172	1.50	5.12	异侧 Different Side

◎ 115V~60Hz R600a LBP

BFR57AD	5.7	ST	RSCR	115V~60Hz	120	409	103	1.60	5.46	异侧 Different Side
BFR75AD	7.5	ST	RSCR	115V~60Hz	156	532	134	1.70	5.80	异侧 Different Side
BFM10AD	10.0	ST	RSCR	115V~60Hz	200	682	172	1.50	5.12	异侧 Different Side
BFR10AD	10.0	ST	RSCR	115V~60Hz	195	665	168	1.65	5.63	异侧 Different Side
BFM12AD	11.5	ST	RSCR	115V~60Hz	230	785	198	1.50	5.12	异侧 Different Side

V Series Compressor R290 | V系列压缩机 R290

◎ 220-240V~50Hz R290 LBP

PVE30AA	3.0	ST	RSIR	220-240V~50Hz	130	444	112	1.10	3.75	异侧 Different Side
PVE35AA	3.5	ST	RSIR	220-240V~50Hz	156	532	134	1.10	3.75	异侧 Different Side
PVD43AA	4.3	ST	RSIR	220-240V~50Hz	180	614	155	1.10	3.75	异侧 Different Side

◎ 220-240V~50Hz R290 HBP

PVL30HA	3.0	FC	RSIR	220-240V~50Hz	360	1228	310	2.30	7.85	异侧 Different Side
PVJ30HA	3.1	FC	RSIR	220-240V~50Hz	420	1433	361	2.58	8.80	异侧 Different Side
PVP30HA	3.1	FC	RSCR	220-240V~50Hz	430	1467	370	2.88	9.83	异侧 Different Side
PVL35HA	3.5	FC	RSIR	220-240V~50Hz	400	1365	344	2.30	7.85	异侧 Different Side
PVJ35HA	3.5	FC	RSCR	220-240V~50Hz	400	1365	344	2.90	9.89	异侧 Different Side

◎ 220-240V~60Hz R290 HBP

PVJ25HF	2.5	FC	RSIR	220-240V~60Hz	365	1245	314	2.60	8.87	异侧 Different Side
PVJ30HF	3.0	FC	RSIR	220-240V~60Hz	370	1262	318	2.80	9.55	异侧 Different Side

◎ 115V~60Hz R290 HBP

型号 Model	气缸容积 Displacement (cm ³)	冷却方式 Cooling Type	电机型式 Motor Type	电压频率 Voltage/ Frequency	ASHRAE (-23.3/54.4/32.2℃)					吸排气结构 Suction and Discharge Structure
					制冷量 Cooling Capacity			COP		
					W	Btu/h	Kcal	W/W	Btu/Wh	
PVJ25HD	2.5	FC	RSIR	115V~60Hz	365	1245	314	2.60	8.87	异侧 Different Side
PVP30HD	3.0	FC	RSIR	115V~60Hz	420	1433	361	2.50	8.53	异侧 Different Side

S Series Compressor R290 | S系列压缩机 R290

◎ 220-240V~50Hz R290 LBP

PSM45AA	4.5	ST	RSIR	220-240V~50Hz	205	699	176	1.30	4.44	同侧 Same Side
PSM50AA	5.0	ST	RSCR	220-240V~50Hz	230	785	198	1.30	4.44	同侧 Same Side
PSM55AA	5.5	ST	RSCR	220-240V~50Hz	255	870	219	1.30	4.44	同侧 Same Side

◎ 220-240V~50Hz R290 HBP

PSJ45HA	4.5	FC	RSIR	220-240V/50Hz	550	1877	473	2.50	8.53	同侧 Same Side
PSJ50HA	5.0	FC	RSIR	220-240V/50Hz	680	2320	585	2.60	8.87	同侧 Same Side
PSL50HA	5.0	FC	RSIR	220-240V~50Hz	680	2320	585	2.35	8.02	同侧 Same Side
			RSCR		680	2320	585	2.50	8.53	
PSL55HA	5.5	FC	RSIR	220-240V~50Hz	715	2440	615	2.35	8.02	同侧 Same Side
			RSCR		715	2440	615	2.50	8.53	

◎ 220-240V~60Hz R290 HBP

PSJ40HF	4.0	FC	RSIR	220-240V~60Hz	570	1945	490	2.60	8.87	同侧 Same Side
---------	-----	----	------	---------------	-----	------	-----	------	------	-----------------

F Series Compressor R290 | F系列压缩机 R290

◎ 220-240V~50Hz R290 LBP

PFT66AA	6.6	ST	RSIR	220-240V~50Hz	320	1092	275	1.49	5.08	异侧 Different Side
			RSCR		320	1092	275	1.56	5.32	异侧 Different Side
PFM66AA	6.6	ST	RSIR	220-240V~50Hz	320	1092	275	1.40	4.78	异侧 Different Side
PFM75AA	7.5	ST/FC	RSIR	220-240V~50Hz	355	1211	305	1.45	4.95	异侧 Different Side
PFM93AA	9.3	FC	RSIR	220-240V~50Hz	450	1535	387	1.49	5.08	异侧 Different Side
PFM10AA	10.0	FC	RSIR	220-240V~50Hz	480	1638	413	1.46	4.98	异侧 Different Side
PFM12AA	11.5	FC	CSIR	220-240V~50Hz	545	1860	469	1.42	4.85	异侧 Different Side

◎ 220-240V~50Hz R290 HBP

型号 Model	气缸容积 Displacement (cm ³)	冷却方式 Cooling Type	电机型式 Motor Type	电压频率 Voltage/ Frequency	ASHRAE (-23.3/54.4/32.2°C)					吸排气结构 Suction and Discharge Structure
					制冷量 Cooling Capacity			COP		
					W	Btu/h	Kcal	W/W	Btu/Wh	
PFL57AA	5.7	FC	CSIR	220-240V~50Hz	785	2678	675	2.66	9.08	异侧 Different Side
PFL61AA	6.1	FC	CSIR	220-240V~50Hz	865	2951	744	2.70	9.21	异侧 Different Side

◎ 115V~60Hz R290 LBP

PFT40AD	4.0	ST	RSCR	115V~60Hz	240	819	206	1.73	5.90	异侧 Different Side
---------	-----	----	------	-----------	-----	-----	-----	------	------	----------------------

◎ 220-240V~50Hz R290 HBP

PF86AT	8.6	FC	RSCR	220-240V~50Hz	1185	4043	1019	2.79	9.52	异侧 Different Side
PFL12AT	11.5	FC	RSCR	220-240V~50Hz	1750	5971	1505	2.78	9.49	异侧 Different Side

AT Series Compressor R290 | AT系列压缩机 R290

◎ 220-240V~50Hz R290 MBP

PATM55MA	5.5	FC	RSIR	220-240V~50Hz	455	1553	391	1.70	5.80	异侧 Different Side
PATM60MA	6.0	FC	RSIR	220-240V~50Hz	490	1672	421	1.70	5.80	异侧 Different Side
PATM70MA	7.3	FC	RSIR	220-240V~50Hz	595	2030	512	1.65	5.63	异侧 Different Side
PATM80MA*	8.0	FC	RSIR	220-240V~50Hz	660	2252	567	1.65	5.63	异侧 Different Side
PATM90MA*	8.8	FC	RSIR	220-240V~50Hz	720	2457	619	1.60	5.46	异侧 Different Side

◎ 220-240V~50Hz R290 HBP

PATJ60HA*	6.0	FC	CSIR	220-240V~50Hz	850	2900	731	2.50	8.53	异侧 Different Side
PATJ66HA*	6.7	FC	CSIR	220-240V~50Hz	950	3242	817	2.50	8.53	异侧 Different Side

B Series Compressor R290 | B系列压缩机 R290

◎ 220-240V~50Hz R290 L/MBP

型号 Model	气缸容积 Displacement (cm ³)	冷却方式 Cooling Type	电机型式 Motor Type	电压频率 Voltage/ Frequency	ASHRAE (-23.3/54.4/32.2℃)					吸排气结构 Suction and Discharge Structure
					制冷量 Cooling Capacity			COP		
					W	Btu/h	Kcal	W/W	Btu/Wh	
PBF12AA	12.1	FC	CSR	220-240V~50Hz	520	1774	605	1.45	4.95	异侧 Different Side
PBF14AA	14.3	FC	CSR	220-240V~50Hz	635	2167	739	1.40	4.78	异侧 Different Side
PBF16AA	16.2	FC	CSR	220-240V~50Hz	750	2559	872	1.45	4.95	异侧 Different Side
PBF18AA	18.0	FC	CSR	220-240V~50Hz	825	2815	959	1.45	4.95	异侧 Different Side

◎ 115V~60Hz R290 L/MBP

PBF12AD*	12.1	FC	CSR	115V~60Hz	663	2262	771	1.40	4.78	异侧 Different Side
PBF14AD*	14.3	FC	CSR	115V~60Hz	786	2682	914	1.40	4.78	异侧 Different Side
PBF16AD*	16.2	FC	CSR	115V~60Hz	875	2986	1018	1.40	4.78	异侧 Different Side
PBF18AD*	18.0	FC	CSR	115V~60Hz	970	3310	1128	1.40	4.78	异侧 Different Side

◎ 220-240V~50Hz R290 HBP

PBJ12HA	12.1	FC	CSR	220-240V~50Hz	1750	5971	2035	2.60	8.87	异侧 Different Side
PBJ14HA	14.3	FC	CSR	220-240V~50Hz	2010	6858	2338	2.60	8.87	异侧 Different Side
PBJ16HA*	16.2	FC	CSR	220-240V~50Hz	2250	7677	2617	2.60	8.87	异侧 Different Side
PBJ18HA*	18.0	FC	CSR	220-240V~50Hz	2480	8462	2884	2.50	8.53	异侧 Different Side

B Series Compressor R404A | B系列压缩机 R404A

◎ 220-240V~50Hz R404A LBP

型号 Model	气缸容积 Displacement (cm ³)	冷却方式 Cooling Type	电机型式 Motor Type	电压频率 Voltage/ Frequency	ASHRAE (-23.3/54.4/32.2℃)					吸排气结构 Suction and Discharge Structure
					制冷量 Cooling Capacity			COP		
					W	Btu/h	Kcal	W/W	Btu/W/h	
MBF12AA	12.1	FC	CSR	220-240V~50Hz	670	2286	779	1.40	4.78	异侧 Different Side
MBF14AA	14.3	FC	CSR	220-240V~50Hz	785	2678	913	1.40	4.78	异侧 Different Side
MBF16AA	16.2	FC	CSR	220-240V~50Hz	915	3122	1064	1.40	4.78	异侧 Different Side
MBF18AA	18.0	FC	CSR	220-240V~50Hz	990	3378	1151	1.40	4.78	异侧 Different Side

◎ 115V~60Hz R404A LBP

MBL12AD*	12.1	FC	CSR	115V~60Hz	765	2610	890	1.40	4.78	异侧 Different Side
MBL14AD*	14.3	FC	CSR	115V~60Hz	895	3054	1041	1.40	4.78	异侧 Different Side
MBL16AD*	16.2	FC	CSR	115V~60Hz	1000	3412	1163	1.30	4.44	异侧 Different Side
MBL18AD*	18.0	FC	CSR	115V~60Hz	1113	3798	1294	1.30	4.44	异侧 Different Side

◎ 220-240V~50Hz R404A HBP

MBL12HA *	12.1	FC	CSR	220-240V~50Hz	1970	6722	2291	2.40	8.19	异侧 Different Side
MBL14HA *	14.3	FC	CSR	220-240V~50Hz	2310	7882	2687	2.25	7.68	异侧 Different Side
MBL16HA *	16.2	FC	CSR	220-240V~50Hz	2500	8530	2908	2.15	7.34	异侧 Different Side

V Series DC Compressor | V系列直流压缩机

◎ 12/24V R134a Inverter

型号 Model	气缸容积 Displacement (cm ³)	冷却方式 Cooling Type	电机型式 Motor Type	电压 Voltage	转速 RPM	ASHRAE (-23.3/54.4/32.2°C)					吸排气结构 Suction and Discharge Structure
						制冷量 Cooling Capacity			COP		
						W	Btu/h	Kcal	W/W	Btu/Wh	
GVM25DC	2.5	ST	BLDC	12/24V	2000	45	154	39	1.32	4.50	异侧 Different Side
					2500	56	191	48	1.32	4.50	
					3000	69	235	59	1.35	4.61	
					3500	75	256	64	1.31	4.47	
GVM30DC	3.0	ST	BLDC	12/24V	2000	69	235	59	1.35	4.61	异侧 Different Side
					2500	75	256	64	1.31	4.47	
					3000	81	276	70	1.31	4.47	
					3500	96	328	83	1.32	4.50	
GVM35DC	3.5	ST	BLDC	12/24V	2000	65	222	56	1.31	4.47	异侧 Different Side
					2500	81	276	70	1.31	4.47	
					3000	96	328	83	1.32	4.50	
					3500	110	375	95	1.29	4.40	
BVM43DC	4.3	ST	BLDC	12/24V	2000	43	147	37	1.35	4.61	异侧 Different Side
					2500	54	184	46	1.36	4.64	
					3000	68	232	58	1.36	4.64	
					3500	72	246	62	1.32	4.50	

备注："*"为正在开发中，ST：自然冷却，FC：风冷

Remarks: "*" means under development, ST: static cooling, FC: fan cooling

Testing Conditions According To Ashrae | 实验条件

LBP

蒸发温度 Evap.Temp°C	-23.3
环境温度 Amb.Temp°C	32.2±0.1
冷凝温度 Conb.Temp°C	54.4±0.3
吸气温度 Suction Temp°C	32.2±3
过冷温度 Subcooling Temp°C	32.2±0.3

HBP

蒸发温度 Evap.Temp°C	7.2
环境温度 Amb.Temp°C	35.0±0.1
冷凝温度 Conb.Temp°C	54.4±0.3
吸气温度 Suction Temp°C	35.0±0.1
过冷温度 Subcooling Temp°C	46.1±0.3

单位换算 Conversion Table

Kcal/h x 1.163=W

Kcal/h x 3.968=Btu/h

W x 3.412=Btu/h

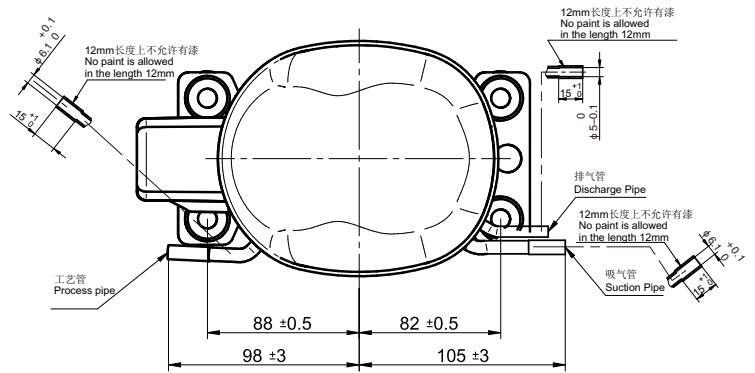
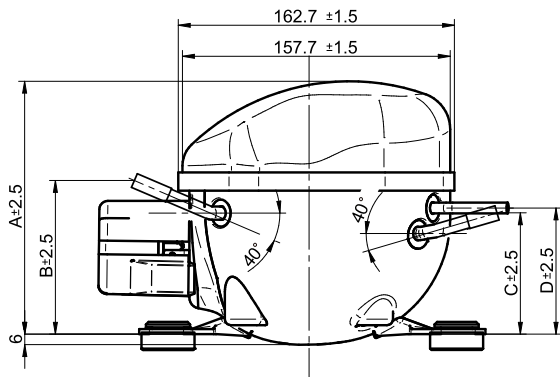
W x 0.864=Kcal/h

Capacity(at 50Hz) x 1.16=Capacity(at 60Hz)

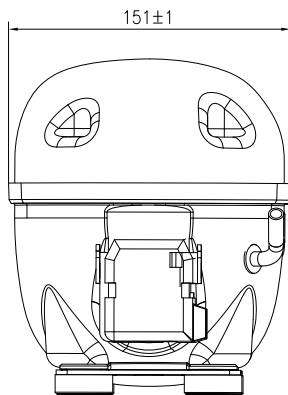
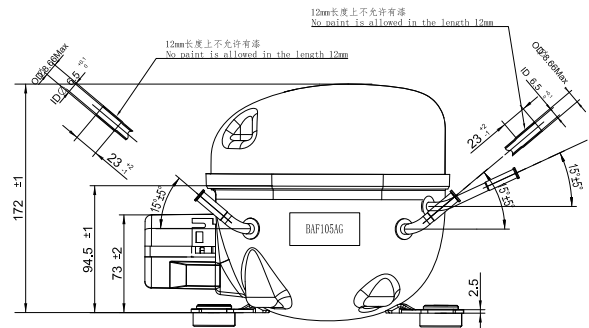
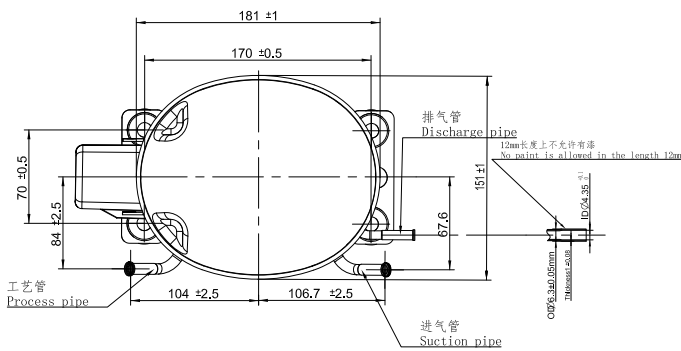
EER=COP x 3.412

Compressor Dimension | 压缩机外貌图

S Series

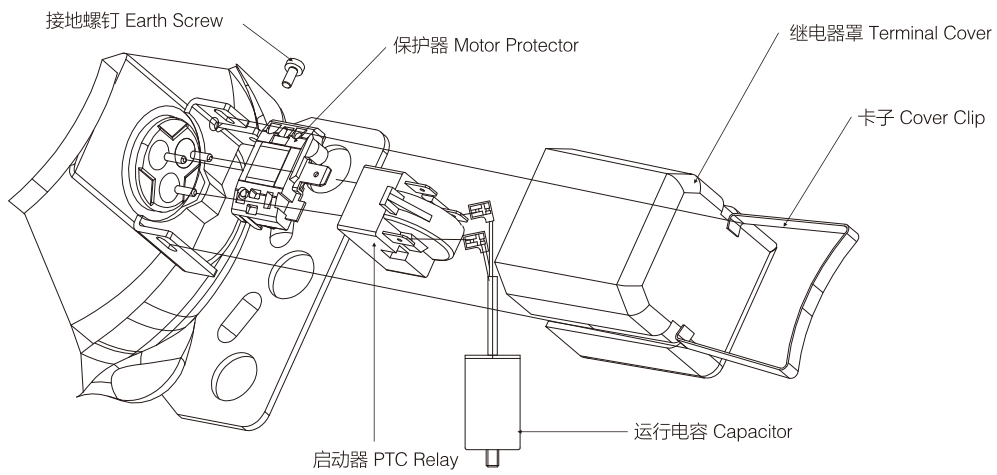


AT Series

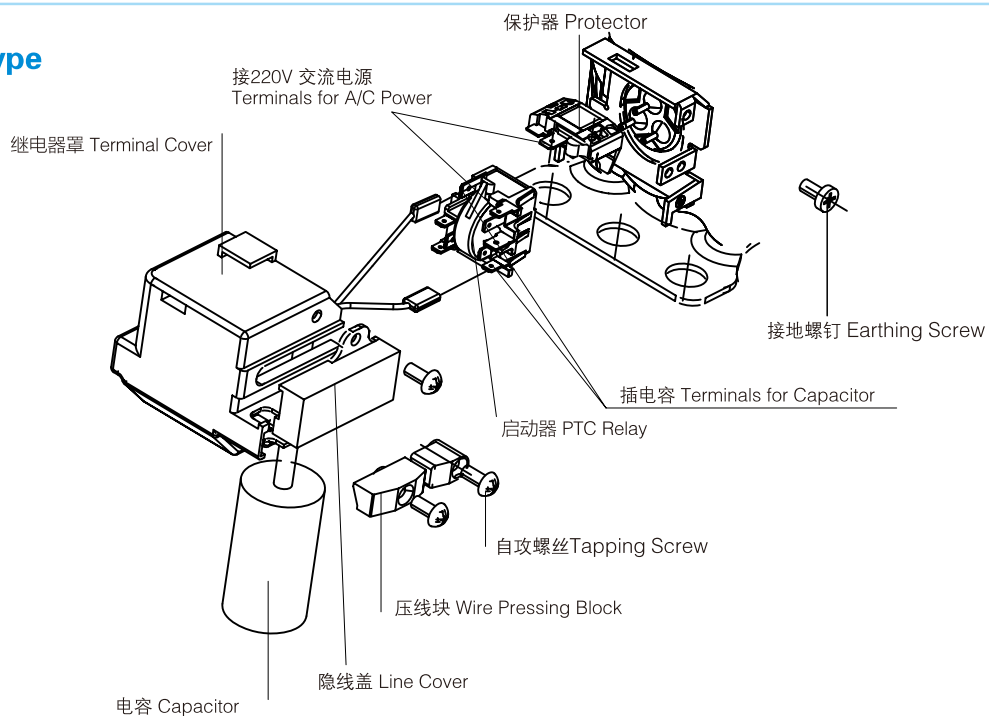


Assembly of Electronic Components | 电气附件安装

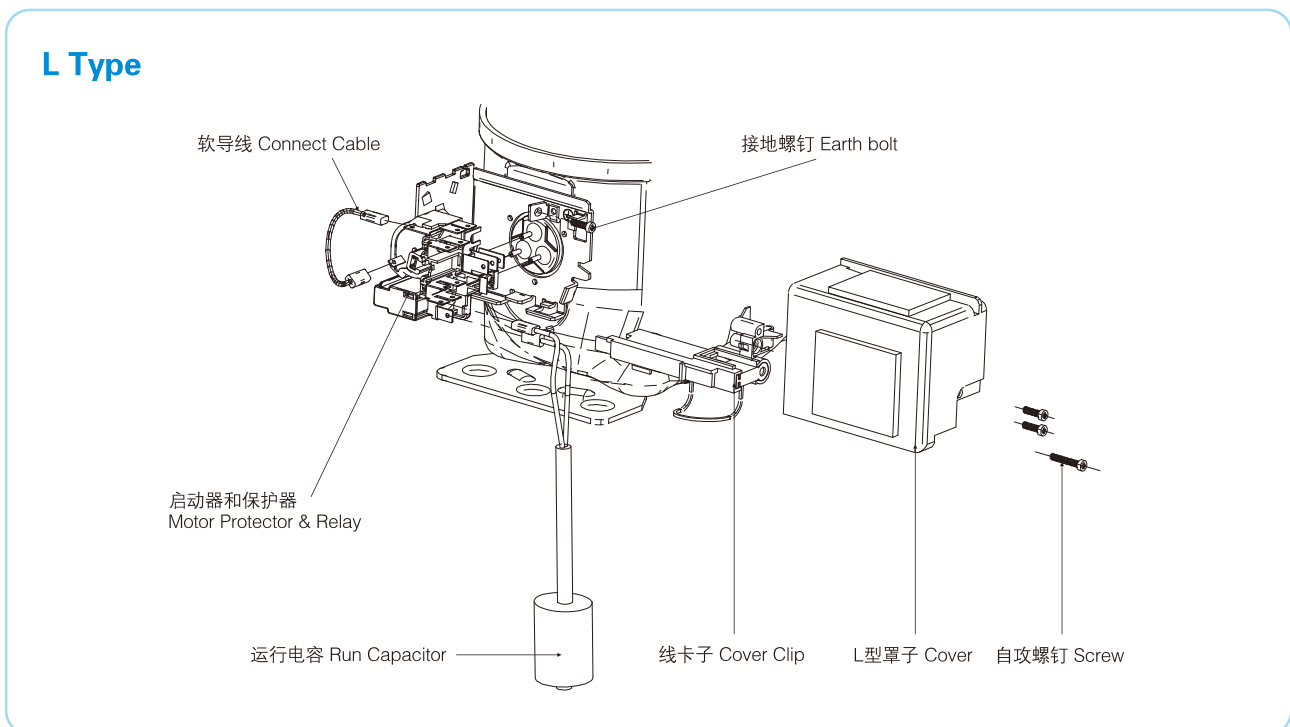
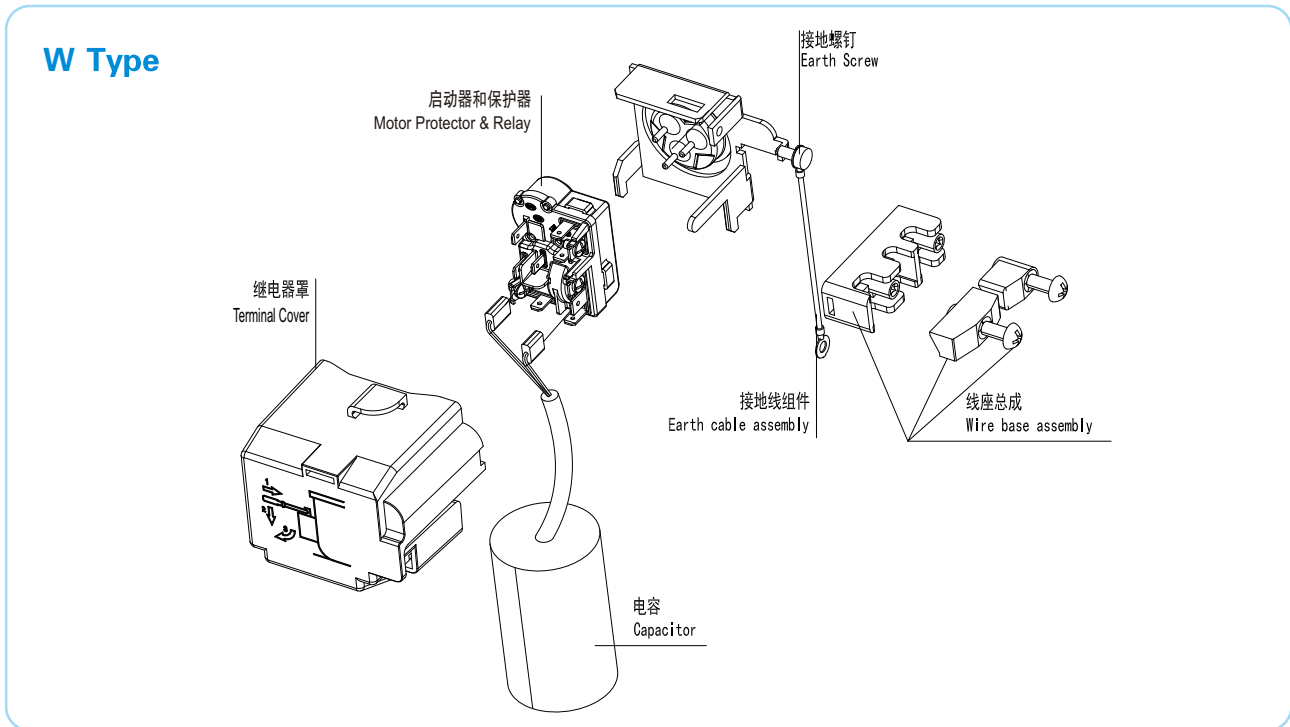
Standard



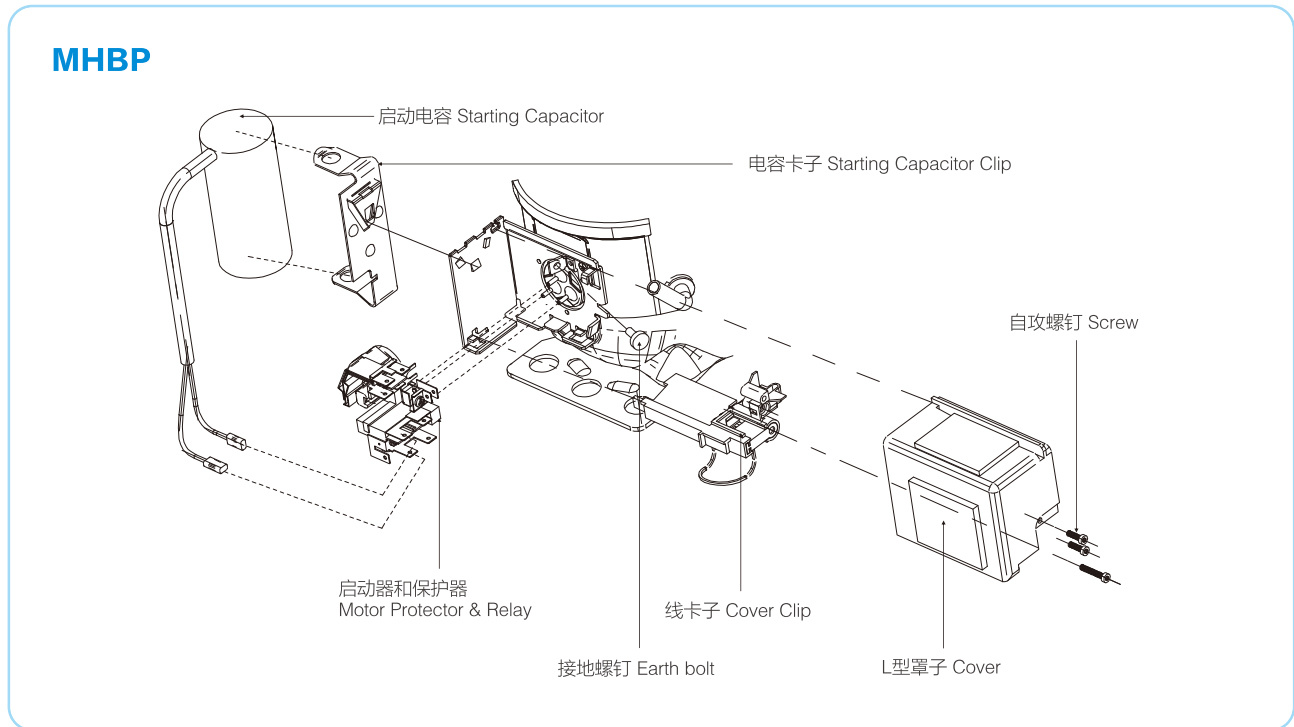
F (B) Type



Assembly of Electronic Components | 电气附件安装

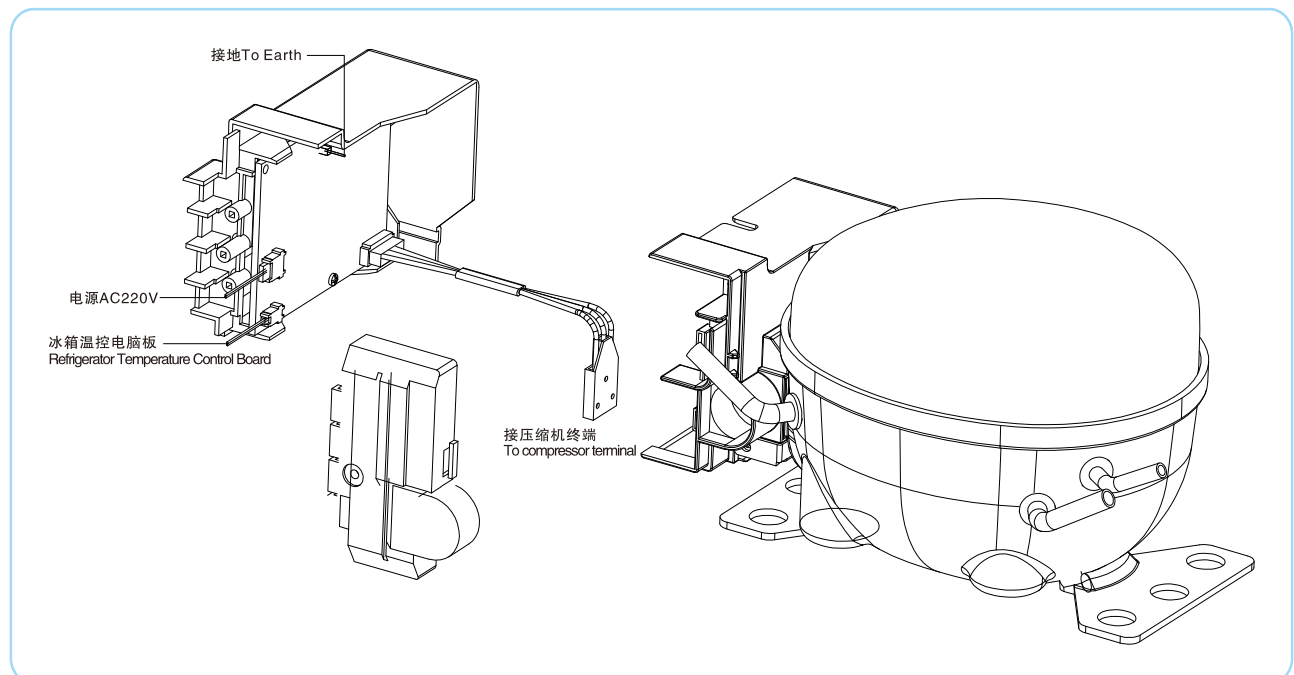


Assembly of Electronic Components | 电气附件安装



Inverter Compressor

Assembly of Electronic Components | 电气附件安装

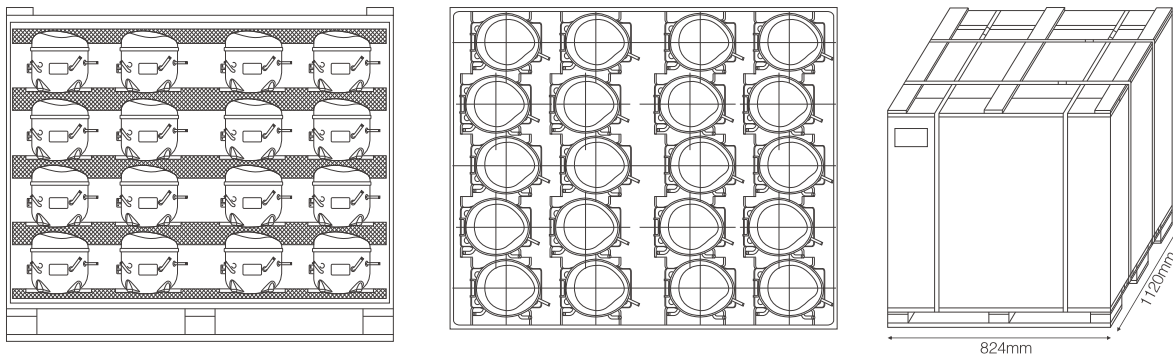


Packaging and Shipping | 包装与运输

At SIBERIA we are dedicated to providing both high quality products and Customer services. We appreciate the importance of efficient delivery and are pleased to be able to offer our customers a variety in packaging methods, to guarantee the safe and swift arrival of all products. The diagrams below represent the standard packaging methods for each series. It is possible to adjust the method to meet special requirements. For help and information on alternative methods, please inquire with your sales advisor.

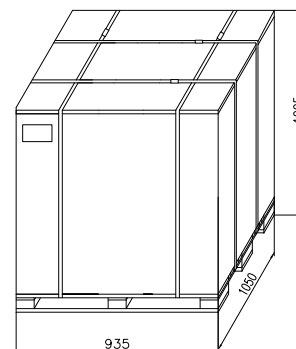
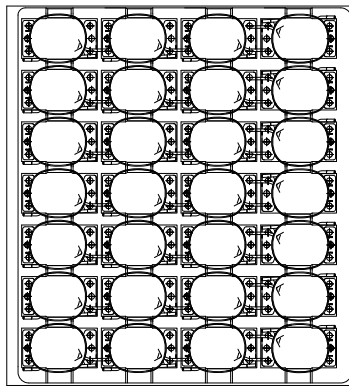
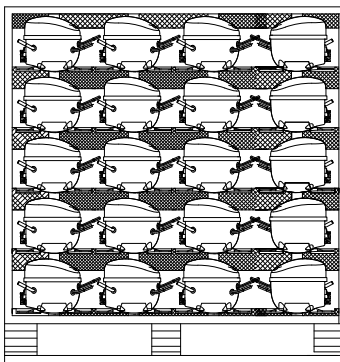
系列 Serial	纸箱 Carton		集装箱 1X20'FT Container	
	每拖数量 Pcs/Pallet	排列 Array (WxDxH)	托盘数 Pallets	数量 Quantity (Pcs)
F	80	5×4×4	26	2080
S	140	7×4×5	24	3360
AT	115	(5×4+3) × 5	26	2990
V	140	7×4×5	24	3360
L	180	5×6×6	26	4680
B	54/72	6×3×3 / 6×3×4	28	1764

F Series Standard Package | F系列标准包装

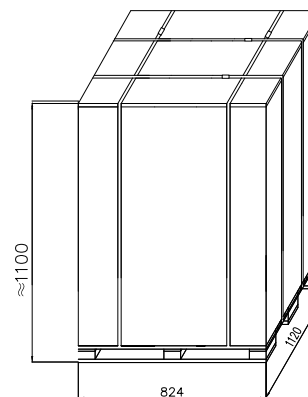
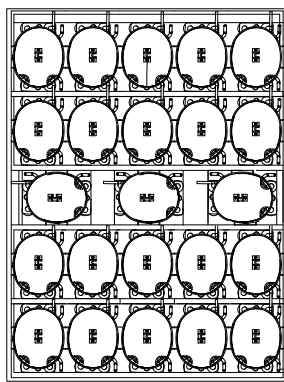
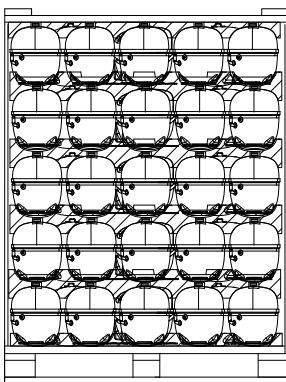


Packaging and Shipping | 包装与运输

S Series Standard Package | S系列标准包装

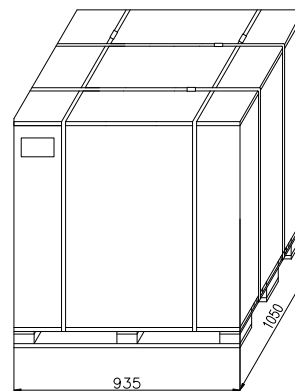
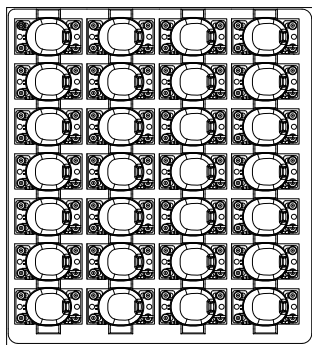
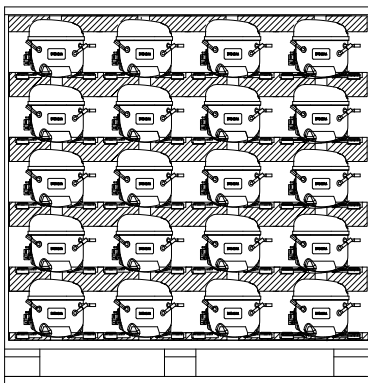


AT Series Standard Package | AT系列标准包装

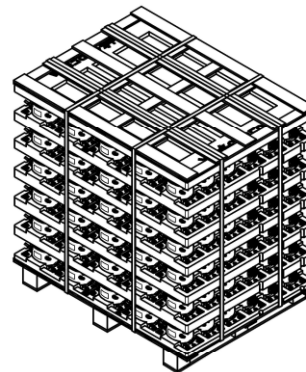
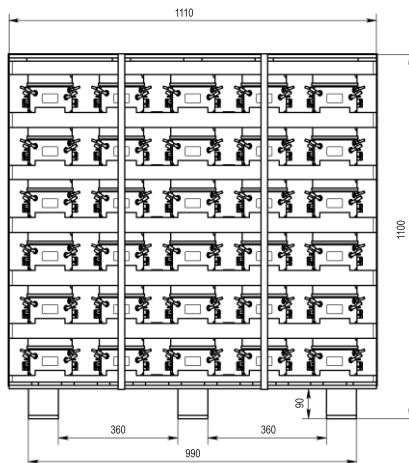
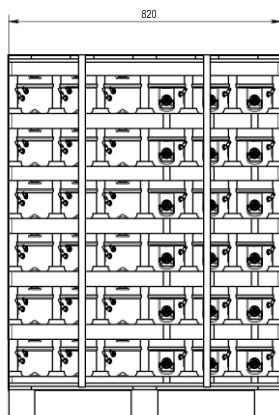


Packaging and Shipping | 包装与运输

V Series Standard Package | V系列标准包装

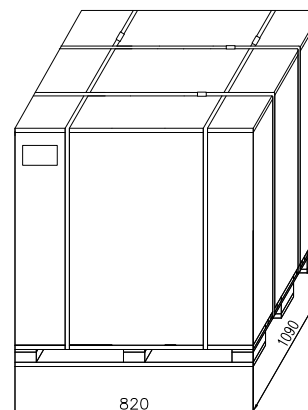
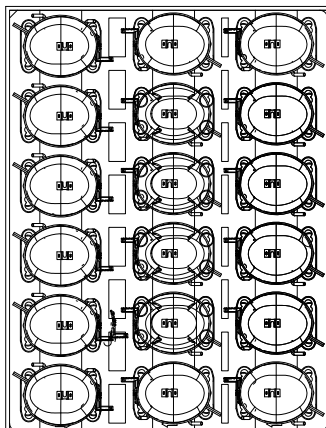
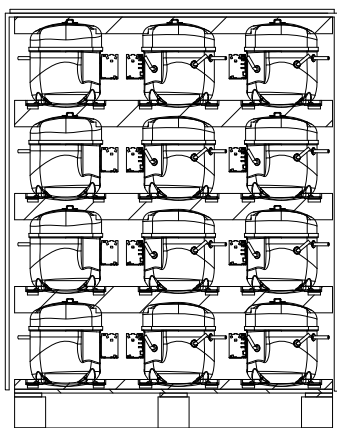


L Series Standard Package | L系列标准包装

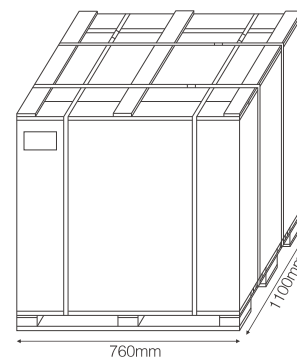
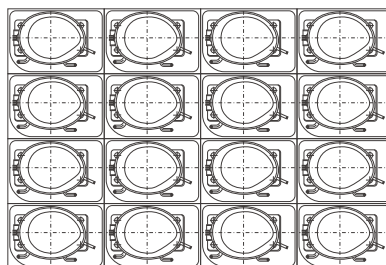
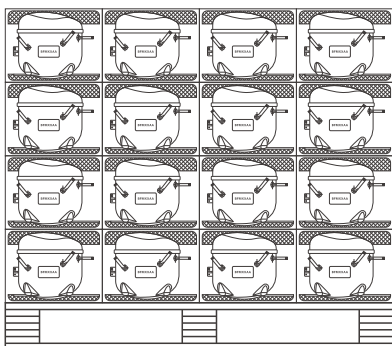


Packaging and Shipping | 包装与运输

B Series Standard Package | B系列标准包装

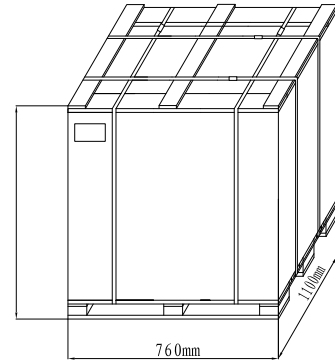
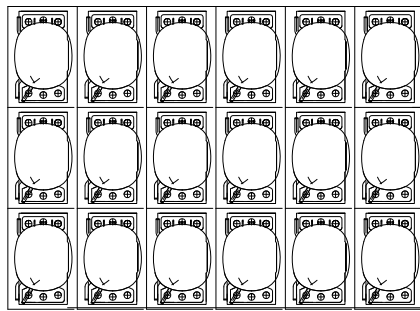
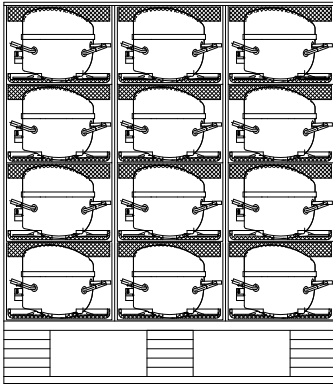


F Series Individual | F系列单独包装

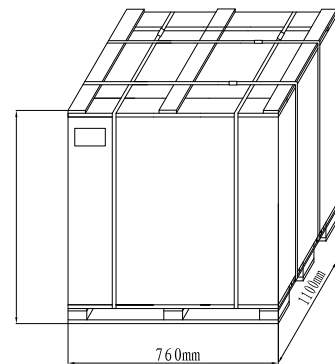
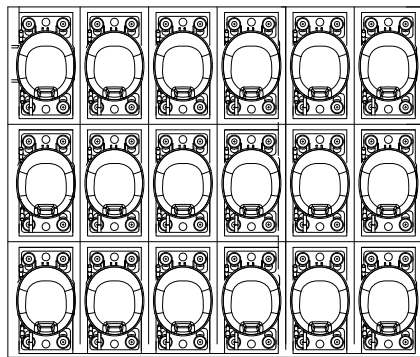
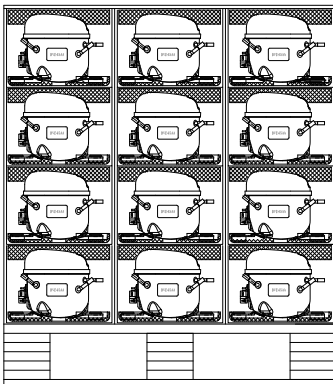


Packaging and Shipping | 包装与运输

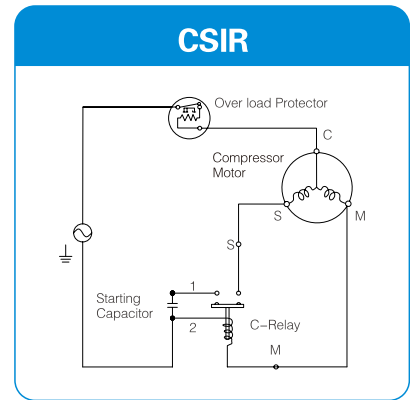
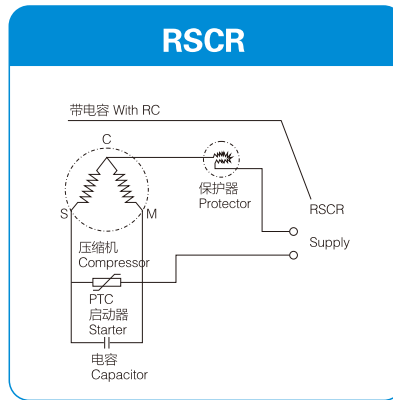
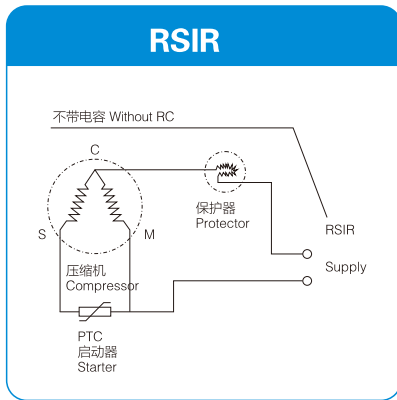
S Series Individual | S 系列单独包装



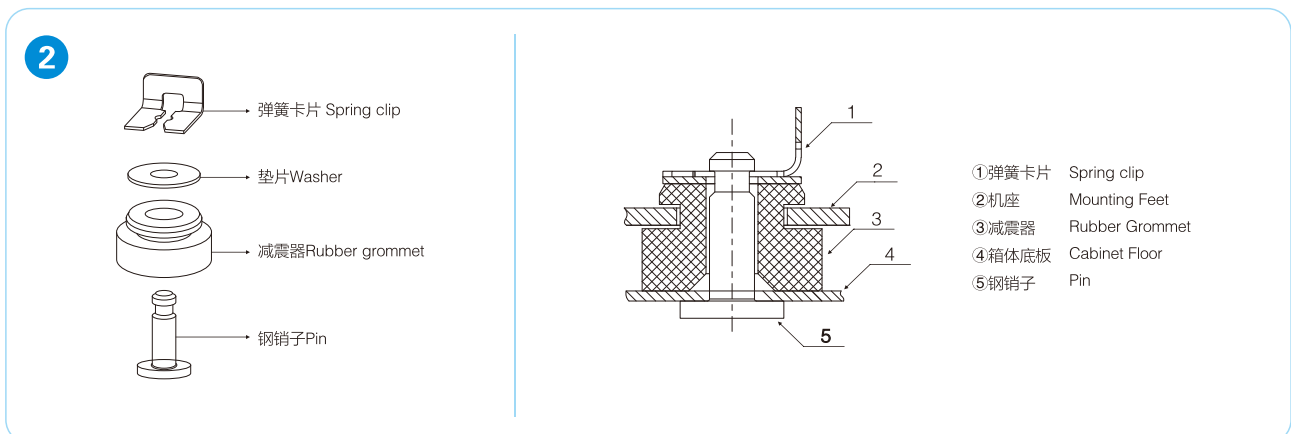
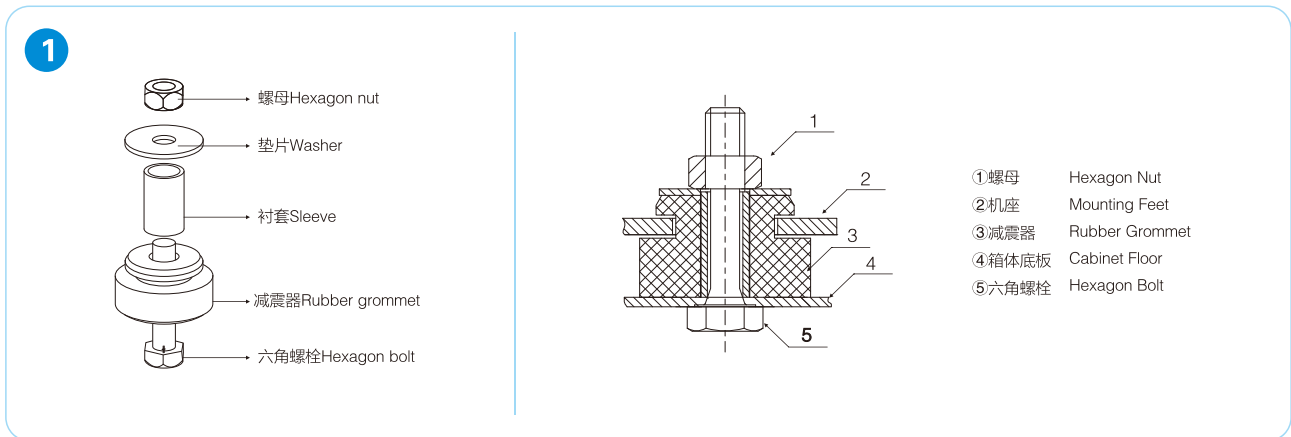
V Series Individual | V 系列单独包装



Wiring Diagram | 电气连接

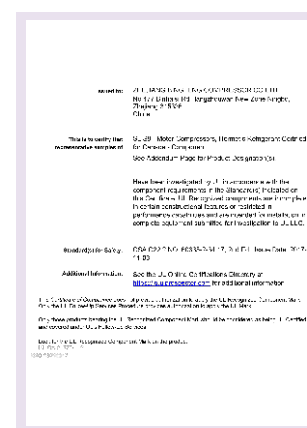
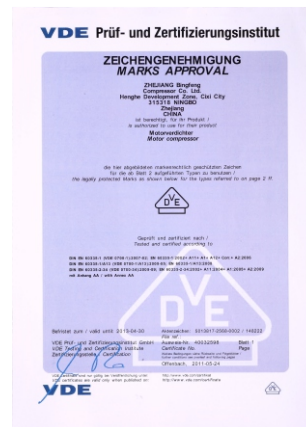
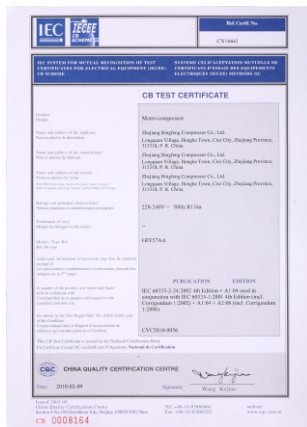


Fixing of Mounting Bracket and Cabinet Base | 附件安装



Certification | 证书

- Since our establishment, SIBERIA have continually improved their services and products to quickly become a leading and reputable manufacturer in refrigeration components. All of our products are made to the highest possible standards, with materials being sourced from well-known suppliers and tested vigorously to ensure their performance and safety. Safety and quality are essential factors in all of our products, which are designed in adherence to meet the regulations and standards of both domestic and international markets. Please find below a sample of just some of the certificates we have received thus far.
- SIBERIA are committed to continually searching the market for new and innovative ways to improve our products, working towards a sustainable future for all investors.
- As a certified international supplier, SIBERIA operate successful business in Europe, Asia and Middle East, for more information or any of our certifications, please contact your sales adviser.



Executive Standard | 压缩机执行标准

GB/T 5773-2016

《The methods of performance test for positive displacement refrigerant》《容积式制冷剂压缩机性能试验方法》

GB/T 9098-2021

《Hermetic motor-compressor for refrigerators》《电冰箱用全封闭型电动机-压缩机》

GB 4706.17-2010

《Household and similar electrical appliances safety particular requirement for motor-compressors》

《家用和类似用途电器的安全电动机-压缩机的特殊要求》

General Requirement | 产品通用要求

- All compressors should be stored in a dry and well ventilated place.
- The Compressor should be kept in an upright position at all times. During transportation, the shipments will not be tilted or inverted more than 5°.
- To avoid debris and moisture entering the compressor, the rubber cypriots should not be removed before installation. At the time of installation (first proposed pulling of the rubber plugs from the exhaust pipe) the exhaust pipe should be connected to the refrigeration appliance within 10 minutes.
- The compressor's grounding must be securely connected to the refrigeration appliance at all times.
- To guarantee a balanced system pressure, please allow for an interval of at least 5 minutes between refrigerator operations.
- The charging volume of the refrigerant oil has been specially optimized by engineers in our factories, please do not add any further substances to the refrigerant oil.
- Compressor accessories (eg starter, thermal protection, etc.) are not fixed to the product but packaged separately. Please ensure that the correct accessories are attached to the corresponding compressor following delivery but prior to product installation.
- The compressor should not be started or operated at levels of high voltage and vacuum conditions. For safety reasons, please adhere to the recommended voltage and vacuum levels as specified for each compressor.
- Under no circumstances should you insert an oxygen injection into either the compressor or the refrigeration system. Should oxygen be inserted into the system, we cannot guarantee the compressor's performance or safety.
- The Compressors working environment should remain below or equal to 43°C both during ignition and operations. The input power should not exceed the limitations of the compressor.
- The product should not be stored for a period longer than 6 months after the production date. Should the product remain in storage past this time, quality checks need to be conducted to ensure the contents of the compressors are sufficient. Replacements should follow accordingly.

- 压缩机应贮存于干燥通风的场所。
- 压缩机存放，运输时不得倾斜或倒置，同时避免撞击，安装水平与工作状态倾斜不大于5°。
- 压缩机安装前切勿将橡胶塞拔掉，以免杂物和潮气进入，安装时（建议先拔排气管橡胶塞）拔出橡胶塞后应在10分钟内安装完毕。
- 压缩机的接地装置应永久可靠地与制冷器具的接地装置连接。
- 为了保证系统压力平衡，压缩机运行间隔时间不得少于5分钟。
- 压缩机内注有本公司认可的最佳量的专用冷冻机油，不得随意倒出或添加。
- 压缩机附件（如启动器，热保护器等）交货时未安装在压缩机上而是在附件箱内，必须选用相对应的型号的启动器，热保护器等。
- 压缩机不能承受高电压或真空条件下启动，运行。
- 凡直接进气和半直接进气的压缩机工艺管和吸气管不能互换，否则压缩机性能将难以保证。
- 不能用压缩机进行抽真空，不能采用氧气注入制冷系统进行检漏等相关操作，否则容易造成安全事故。
- 压缩机的工作环境温度不能高于43摄氏度，在最高室温（43摄氏度）时，其连续运转时电流，输入功率，不应超过压缩机的极限值。
- 压缩机出厂后库存最好不超过6个月，如果超过请检查压缩机内干燥氮气是否充足，必要时应补充。



Zhejiang Bingfeng Compressor Co.,Ltd.

Add: No:477, Binhai Si Rd, Hangzhouwan New Zone, Ningbo, China
Tel: +86-574-63261825 / 63905606
Fax: +86-574-63905622
E-mail: info@siberia-compressors.com
Website: www.zjbingfeng.com / www.siberia-compressors.com

浙江冰峰压缩机有限公司

地 址: 浙江宁波杭州湾新区滨海四路477号
电 话: +86-574-63261825 / 63905606
传 真: +86-574-63905622
邮 箱: info@siberia-compressors.com
网址: www.zjbingfeng.com / www.siberia-compressors.com