

---

COMPRESSOR MODEL	CLIENT	VERSION NUMBER	DATE
GATT66AA/220V/50Hz			

R134a HERMETIC COMPRESSOR

# TECHNICAL SPECIFICATION

(MODEL: GATT66AA)

ZHEJIANG BINGFENG COMPRESSOR CO.,LTD

---

COMPRESSOR MODEL	CLIENT	VERSION NUMBER	DATE
GATT66AA/220~240V/50Hz		1.0	2023-4-18

**Application:**

Application	LBP
Range of evaporating temperature	-35 °C to -10 °C
Refrigerant	R134a
Control device	Capillary tube
Compressor cooling	Static cooling
Starting torque	L.S.T
Max. ambient temperature	43 °C
Max. steady condensing temperature	60 °C
Max. peak condensing temperature	70 °C
Max. winding temperature	130 °C

**Normal Performance**

Test standard	ASHRAE
Capacity (W)	200
Power consumption (W)	118
COP (W/W)	1.7
Current (A)	0.58
Noise [dB(A)]	42
Vibration(m/s <sup>2</sup> )	0.7

**Mechanical information**

Displacement	6.7cm <sup>3</sup>	
Suction muffler	Semi-direct	
Oil	Oil type	Ester
	Viscosity	22S
	Initial charge	160±10ml
	Recharge	85%
Weight (with oil charge)	~7.35kg	

**Motor Data**

Motor type	RSCR/RSIR
Capacitance	4 μF
Motor protection	External protection
Approved voltage range	187-254V
Resistance of main coil (Ω, 20 °C)	<b>19.2±10%</b>
Resistance of auxiliary coil (Ω, 20 °C)	<b>19.8±10%</b>

**Electrical Components**

Overload protector	BT67-120A61D3
Rating current	6.7A
Opening temperature	120±5 °C

COMPRESSOR MODEL	CLIENT	VERSION NUMBER	DATE
GATT66AA/220~240V/50Hz		1.0	2023-4-18

Closing temperature	61±9 °C
PTC starting relay	QP2-15/QP15-EC
Resistance(25 °C)	15 ± 20% Ω
Max. working voltage	350V
Max. working current	8A

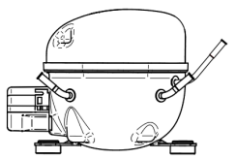
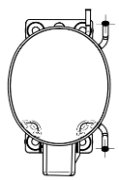
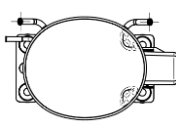
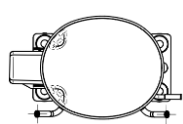

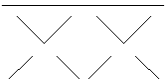
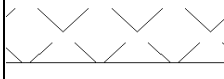
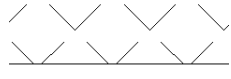
**Exterior character**

Base plate	170*70mm	
Top bracket or top piece	Optional	
Water tray	Optional	
Connection tube	Suction tube	Inner-dia.6.1~6.2mm, copper
	Service tube	Inner-dia.6.1~6.2mm, copper
	Discharge tube	Inner-dia 4.9~5.0mm, copper

**Limit working condition**

Ambient temperature	0~43 °C
Range of evaporating temperature	-35 °C to -10 °C
Voltage range	187~254V~/50Hz
Max. discharge pressure	1.8 Mpa(gauge)
Max. winding temperature	150 °C
Starting capability	187V[0.50 MPa (abs)]

**Packaging and transport**

Compressor				
Shipment position	Upright	Suction tube up	Tubes up	Tubes down
				
				

**Handling during appliance assemble**

Dry air content	0.3-0.5bar
Non-condensable gas limit	Max 1%
Max. opening connection time	15min
Inclination during assemble	Max. 5°
Running in vacuum condition	Not allowed
Use of non-special oil	Not allowed
Liquid return to compressor	Not allowed
Max storage time before assemble	1 year after product date

COMPRESSOR MODEL	CLIENT	VERSION NUMBER	DATE
GATT66AA/220~240V/50Hz		1.0	2023-4-18

### Other recommendation

A impacted compressor can't be used.
Don't use antifreeze.
The refrigeration system must be used for R134a exclusively.
Assure oil return correctly.
Don't start compressor when it is in vacuum state.
Avoid contamination of mineral oil (in vacuum pump) or paraffin.
Any cooling system and assembly parts, parameter, process parameter change related with compressor in the appliances should inform bingfeng.

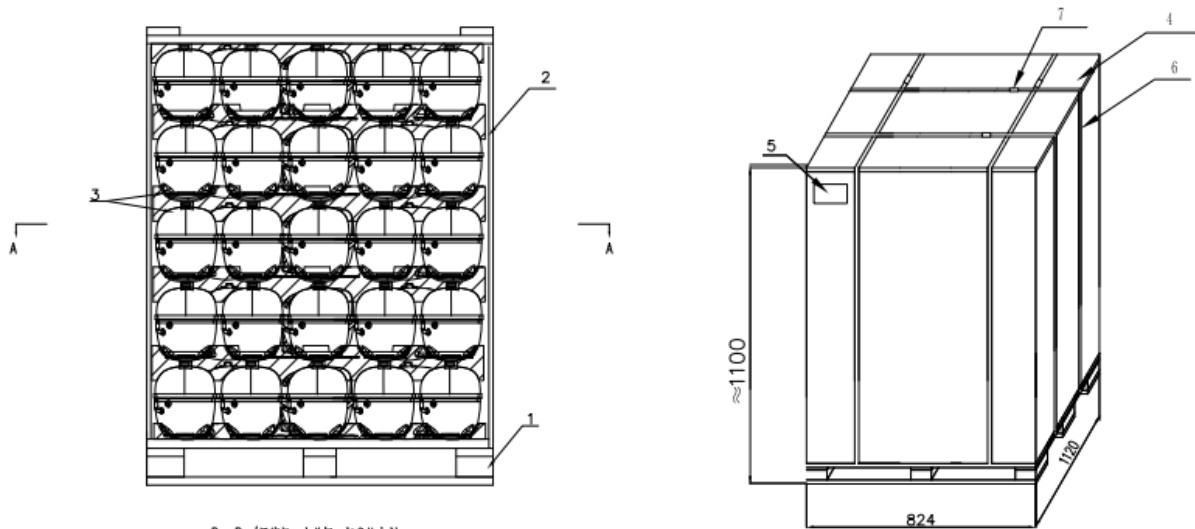
### Accessories

No.	Designation	Specification	Quantity
1	Cover	BFF010003	1
2	Cover clip	BFF010004	1
3	Overload protector	BT67-120A61D3	1
4	PTC starting relay	QP2-15	1
5	Earth screw	M4×8	1
6	Rubber grommet	BFF010005	4
7	Capacitance	4 μF	1
8	Bolt	M6×30	4
9	Nut	M6	4
10	Bushing	/	4
11	Flat washer	Φ6	4

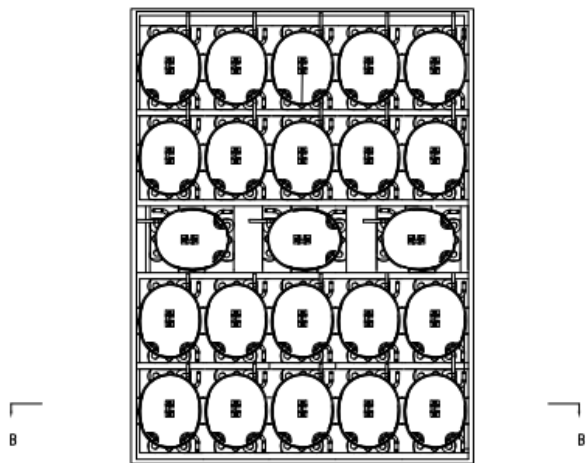
COMPRESSOR MODEL	CLIENT	VERSION NUMBER	DATE
GATT66AA/220~240V/50Hz		1.0	2023-4-18

## Transportation

115 sets/pallet



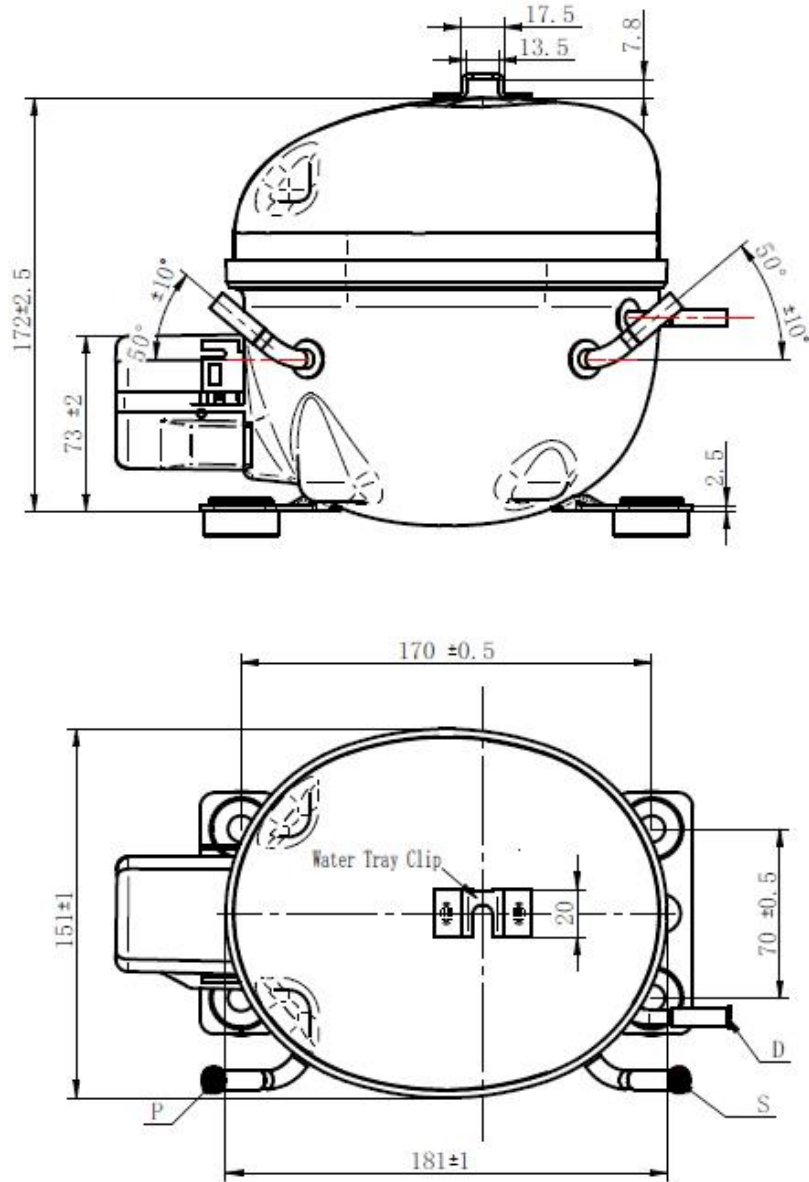
B--B (压缩机, 上盖板, 托盘均未剖)



A---A (压缩机不剖)

COMPRESSOR MODEL	CLIENT	VERSION NUMBER	DATE
GATT66AA/220~240V/50Hz		1.0	2023-4-18

Figure 1: Overall Dimension



Connecting tube		
Suction(S)	Process(P)	Discharge(D)
Φ6.1~6.2 Inner-dia.	Φ6.1~6.2 Inner-dia.	Φ4.9~5.0 Inner-dia.

COMPRESSOR MODEL	CLIENT	VERSION NUMBER	DATE
GATT66AA/220~240V/50Hz		1.0	2023-4-18

Figure 2: Mounting Schematic

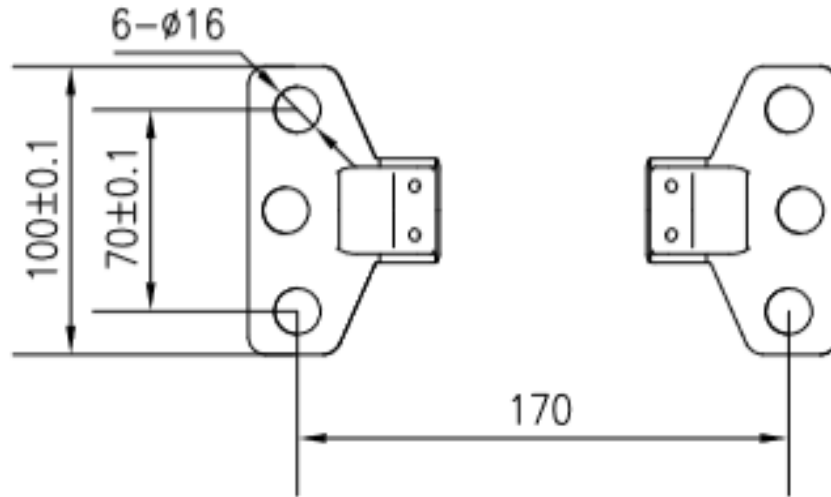
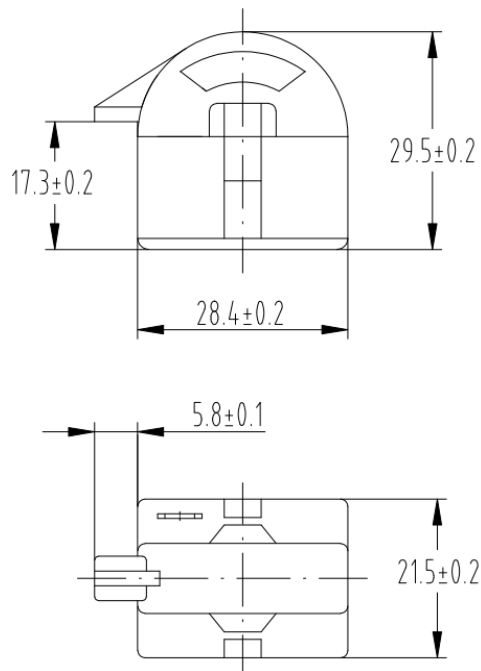


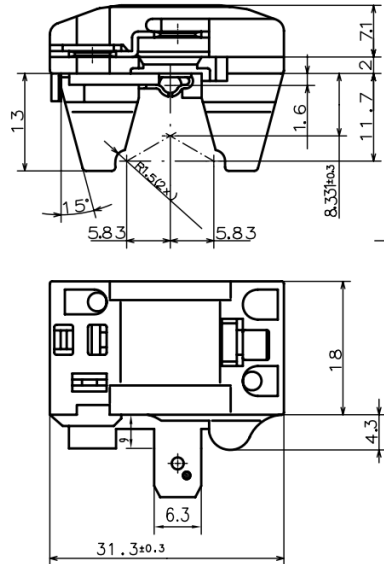
Figure 3: OLP/PTC

QP2-15:

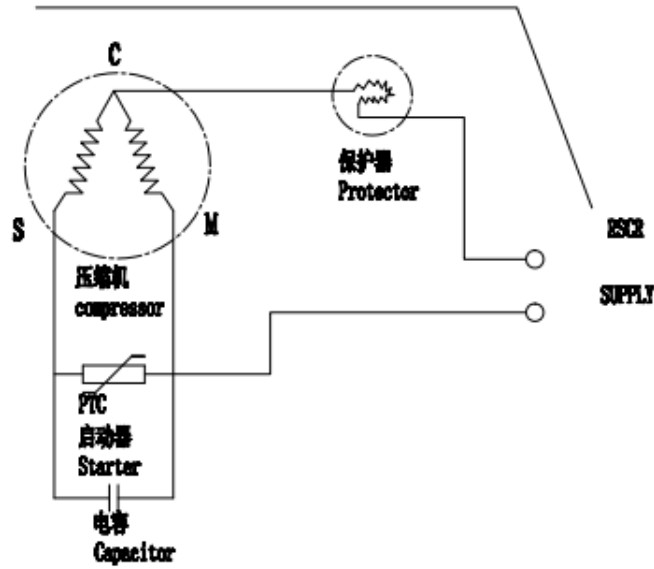


COMPRESSOR MODEL	CLIENT	VERSION NUMBER	DATE
GATT66AA/220~240V/50Hz		1.0	2023-4-18

BT67-120A61D3:



带电容With RC





COMPRESSOR MODEL	CLIENT	VERSION NUMBER	DATE
GATT66AA/220~240V/50Hz		1.0	2023-4-18

Figure 4: Assembly and Accessories

